



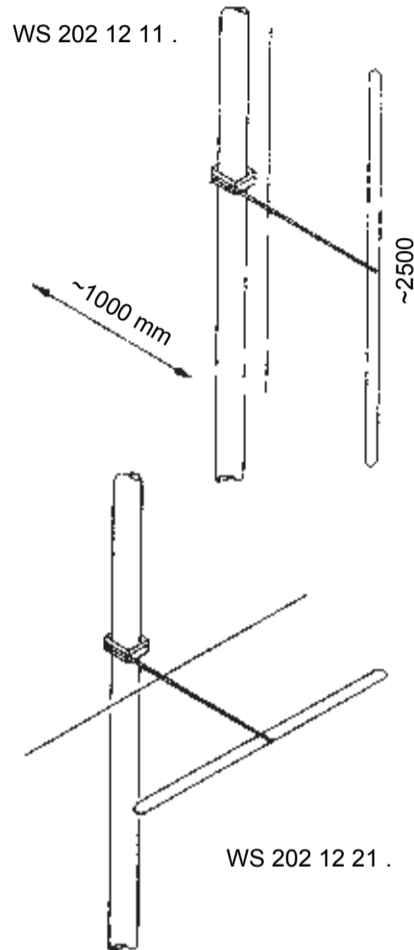
Directional Antennas 68 ... 87.5 MHz

ORDER NUMBER	ANTENNA TYPE
WS 202 12 .1 .	2 element yagi, light execution without radome
WS 202 13 .1 .	2 element yagi, heavy duty with radome
WS 203 12 .1 .	3 element yagi, light execution without radome
WS 203 13 .1 .	3 element yagi, heavy duty with radome
WS 204 12 .1 .	4 element yagi, light execution without radome
WS 204 13 .1 .	4 element yagi, heavy duty with radome
WS 204 02 12 .	4 element yagi, light execution without radome
WS 204 03 12 .	4 element yagi, heavy duty with radome
WS 206 02 12 .	6 element yagi, light execution without radome
WS 206 03 12 .	6 element yagi, heavy duty with radome
WS 206 02 23 .	6 element yagi, light execution without radome
WS 206 03 23 .	6 element yagi, heavy duty with radome
WS 251 02 11	directional antenna type Kleewi
WS 251 03 11	directional antenna type Kleewi, heavy duty with radome
WS 253 12 13 .	bidirectional, light execution without radome
WS 253 13 13 .	bidirectional, heavy duty with radome
WS .80 22 31 1	logper 87 ... 1000 MHz

wipic

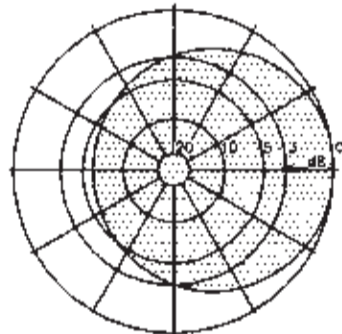
2 ELEMENT YAGI ANTENNA

**WS 202 12 .1 .
68 ... 88 MHz**

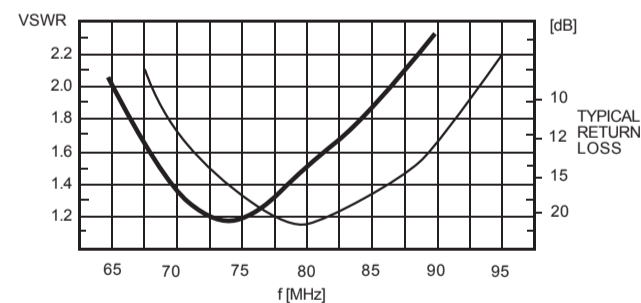
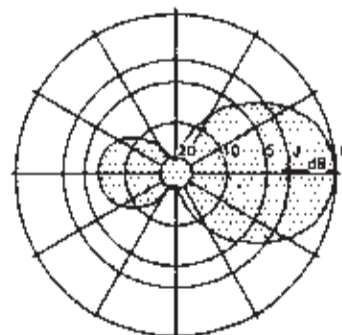


TYPE NO.	vertical polarization WS 202 12 11 4: 68 - 80 MHz WS 202 12 11 5: 74 - 88 MHz horizontal polarization WS 202 12 21 4: 68 - 80 MHz WS 202 12 21 5: 74 - 88 MHz further frequencies on request, light execution
IMPEDANCE	50 Ω
GAIN	2 dB (ref. to λ/2 dipole)
VSWR	< 1.3, at the limits of the band < 1.5
POWER	250 watts, higher power on request
3 dB BEAMWIDTH	in polarization, E-plane: 77° vertical to pol. H-plane: 206°
TERMINATION	2 m cable RG 213/U with N male other termination on request
GROUNDING	all metal parts are DC grounded
MOUNTING	<i>mast ø</i> <i>clamp (see chapt. 10)</i> 30 - 80 mm WG 13 (standard) 50 - 104 mm WG 14 (option) clamps for other mast-ø on request
MATERIAL	aluminium, bolts of stainless steel, weather resistant plastics
WEIGHT	2.9 kg
WIND AREA	0.08 m ²
WIND LOAD	100 N 150 km/h 75 N 130 km/h

Radiation
Pattern
H Plane



Radiation
Pattern
E Plane

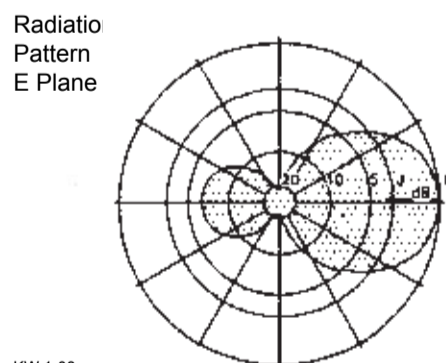
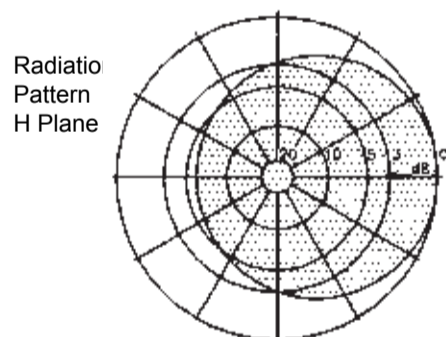
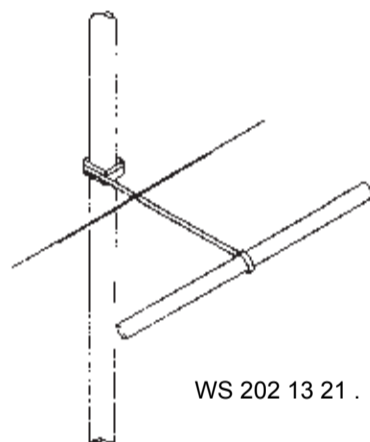
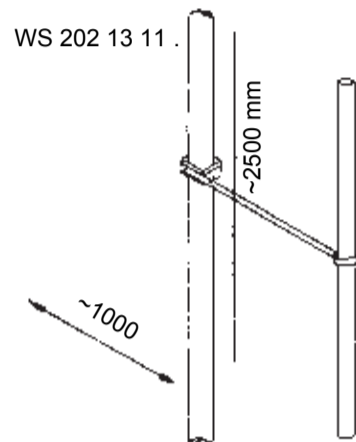


WIPIC reserves the right to amend specifications in the light of continuing development.

KW 1-08

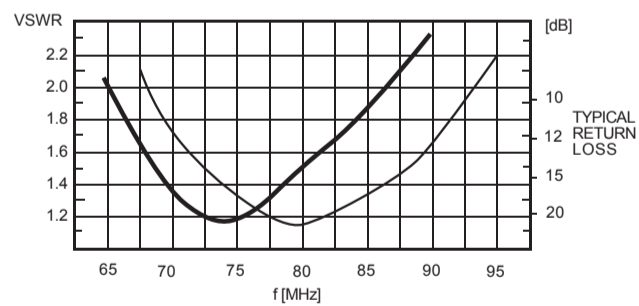
wipic

2 ELEMENT YAGI ANTENNA
WS 202 13 .1 .
68 ... 88 MHz



KW 1-08

TYPE NO.	vertical polarization WS 202 13 11 4: 68 - 80 MHz WS 202 13 11 5: 74 - 88 MHz horizontal polarization WS 202 13 21 4: 68 - 80 MHz WS 202 13 21 5: 74 - 88 MHz further frequencies on request
DESCRIPTION	heavy duty, with radom The radom protects the antenna dipole against environmental influences, icing, and increases the lightning protection.
IMPEDANCE	50 Ω
GAIN	2 dB (ref. to λ/2 dipole)
VSWR	< 1.3, at the limits of the band < 1.5
POWER	250 watts, higher power on request
3 dB BEAMWIDTH	in polarization, E-plane: 77° vertical to pol. H-plane: 206°
TERMINATION	2 m cable RG 213/U with N male other termination on request
GROUNDING	all metal parts are DC grounded
MOUNTING	<i>mast ø</i> <i>clamp (see chapt. 10)</i> 30 - 80 mm WG 17 (standard) 50 - 104 mm WG 18 (option) clamps for other mast-ø on request
MATERIAL	aluminium, bolts of stainless steel, radom of UV-stabilized polyethylene
WEIGHT	4.5 kg
WIND AREA	0.2 m ²
WIND LOAD	255 N 150 km/h 192 N 130 km/h

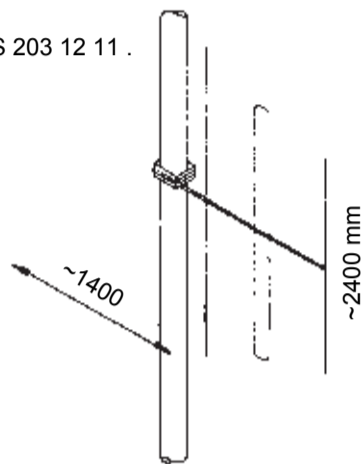


WIPIC reserves the right to amend specifications in the light of continuing development.

wipic

3 ELEMENT YAGI ANTENNA
WS 203 12 .1 .
68 ... 88 MHz

WS 203 12 11 .



TYPE NO. vertical polarization
WS 203 12 11 4: 68 - 80 MHz
WS 203 12 11 5: 74 - 88 MHz
 horizontal polarization
WS 203 12 21 4: 68 - 80 MHz
WS 203 12 21 5: 74 - 88 MHz
 further frequencies on request, light execution

IMPEDANCE 50 Ω
GAIN 3 dB (ref. to λ/2 dipole)
VSWR < 1.3, at the limits of the band < 1.5
POWER 250 watts

3 dB BEAMWIDTH in polarization, E-plane: 72°
 vertical to pol. H-plane: 160°

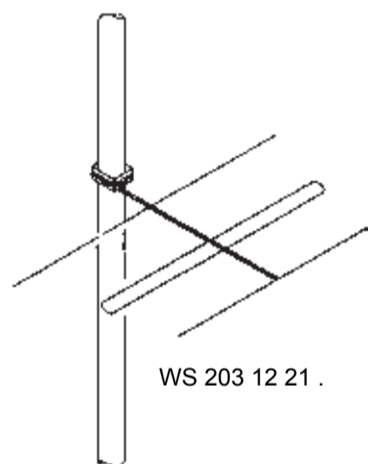
TERMINATION 2 m cable RG 213/U with N male
 other termination on request

GROUNDING all metal parts are DC grounded

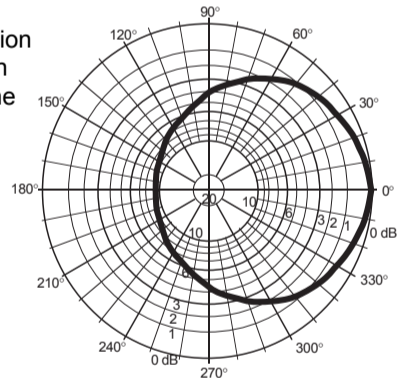
MOUNTING mast ø clamp (see *chapt. 10*)
 30 - 80 mm WG 13 (standard)
 50 - 104 mm WG 14 (option)

MATERIAL aluminium, bolts of stainless steel, radom of UV-stabilized polyethylene

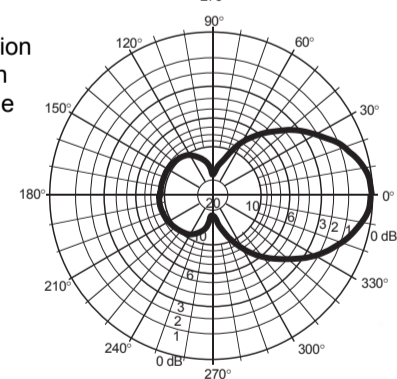
WEIGHT 3.1 kg
WIND AREA 0.16 m²
WIND LOAD 204 N 150 km/h
 153 N 130 km/h



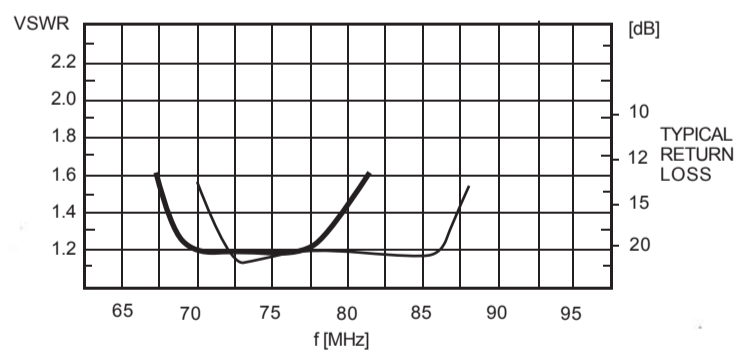
Radiation Pattern H Plane



Radiation Pattern E Plane



KW 1-08



WIPIC reserves the right to amend specifications in the light of continuing development.

wipic

3 ELEMENT YAGI ANTENNA

WS 203 13 .1 .

68 ... 88 MHz

TYPE NO.

vertical polarization
WS 203 13 11 4: 68 - 80 MHz
WS 203 13 11 5 : 74 - 88 MHz
horizontal polarization
WS 203 13 21 4: 68 - 81 MHz
WS 203 13 21 5 : 74 - 88 MHz
further frequencies on request

DESCRIPTION

heavy duty, with radom
The radom protects the antenna dipole against environmental influences, icing, and increases the lightning protection.

IMPEDANCE

50 Ω

GAIN

3 dB (ref. to λ/2 dipole)

VSWR

< 1.3, at the limits of the band < 1.5

POWER

250 watts

3 dB BEAMWIDTH

in polarization, E-plane: 72°
vertical to pol. H-plane: 160°

TERMINATION

2 m cable RG 213/U with N male
other termination on request

GROUNDING

all metal parts are DC grounded

MOUNTING

mast ø *clamp (see chapt. 10)*
30 - 80 mm WG 17 (standard)
50 - 104 mm WG 18 (option)

MATERIAL

aluminium, bolts of stainless steel, radom of UV-stabilized polyethylene

WEIGHT

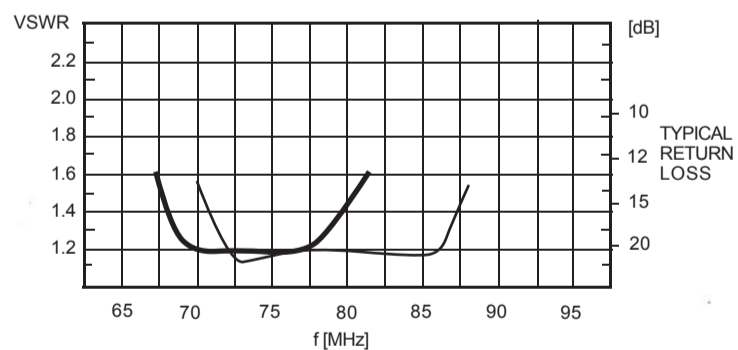
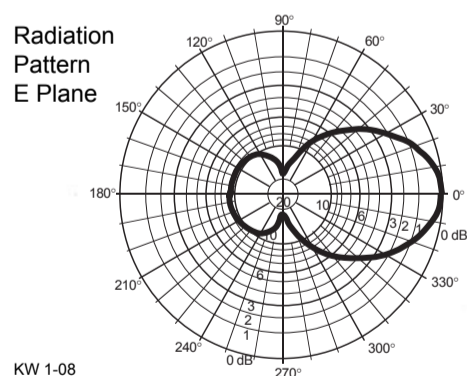
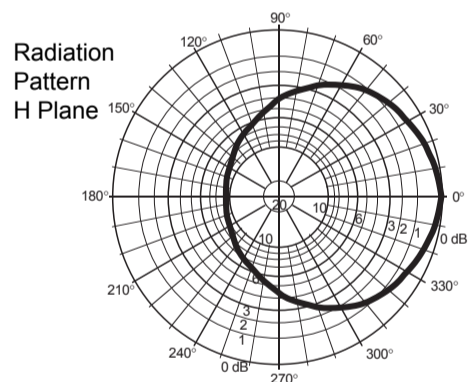
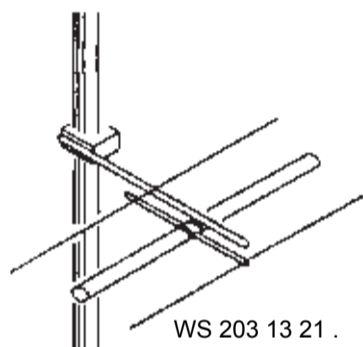
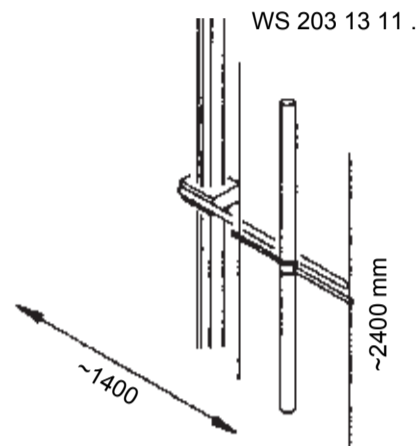
7.2 kg

WIND AREA

0.31 m²

WIND LOAD

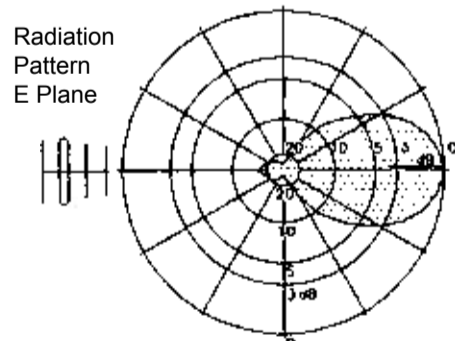
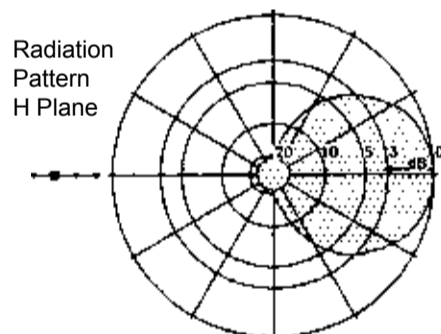
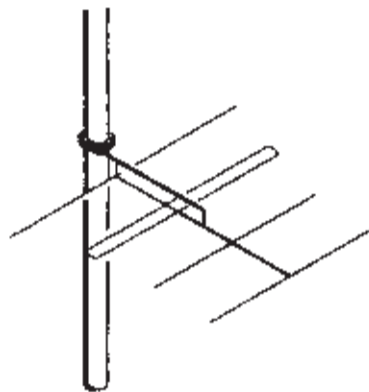
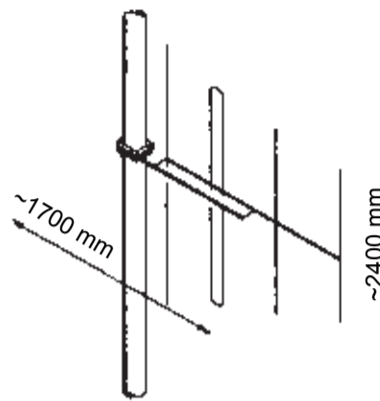
395 N 150 km/h
295 N 130 km/h



WIPIK reserves the right to amend specifications in the light of continuing development.

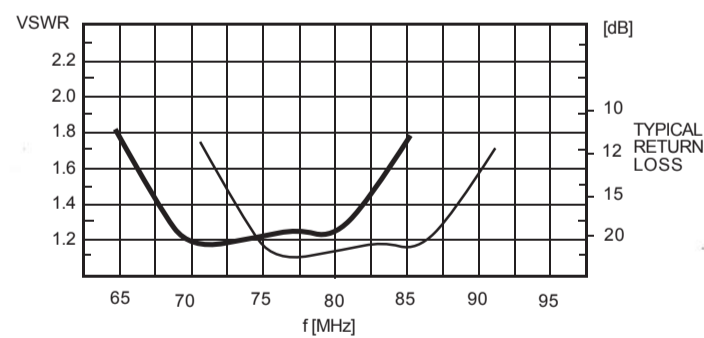
wipic

4 ELEMENT YAGI ANTENNA
WS 204 12 .1 .
68 ... 88 MHz



KW 1-08

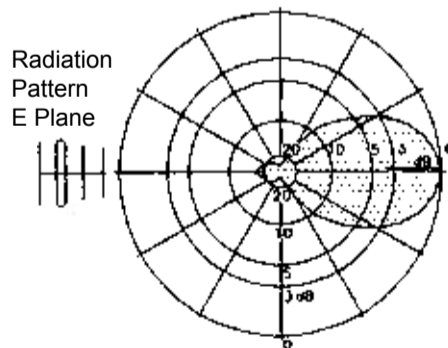
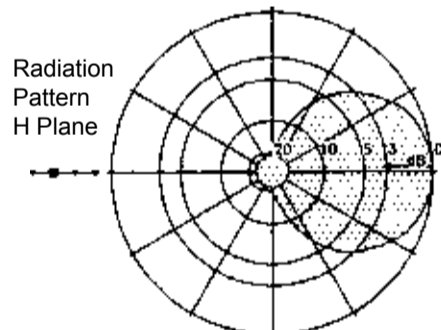
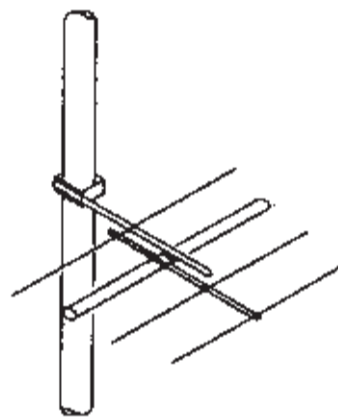
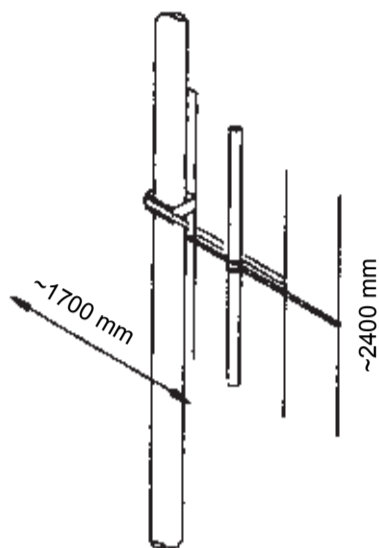
TYPE NO.	vertical polarization WS 204 12 11 4: 68 - 82 MHz WS 204 12 11 5: 72 - 88 MHz
	horizontal polarization WS 204 12 21 4: 68 - 82 MHz WS 204 12 21 5: 72 - 88 MHz further frequencies on request, light execution
IMPEDANCE	50 Ω
GAIN	3.5 - 5 dB (ref. to λ/2 dipole)
VSWR	< 1.3, at the limits of the band < 1.5
POWER	max. 250 watts
3 dB BEAMWIDTH	in polarization, E-plane: 67° vertical to pol. H-plane: 126°
TERMINATION	2 m cable RG 213/U ending with N male other termination on request
GROUNDING	all metal parts are DC grounded
MOUNTING	<i>mast ø</i> <i>clamp (see chapt. 10)</i> 30 - 80 mm WG 15 (standard) 50 - 104 mm WG 16 (option) clamp for other mast ø on request
MATERIAL	aluminium, bolts of stainless steel, weather-resistant plastic
WEIGHT	3.4 kg
WIND AREA	0.19 m ²
WIND LOAD	250 N 150 km/h 185 N 130 km/h



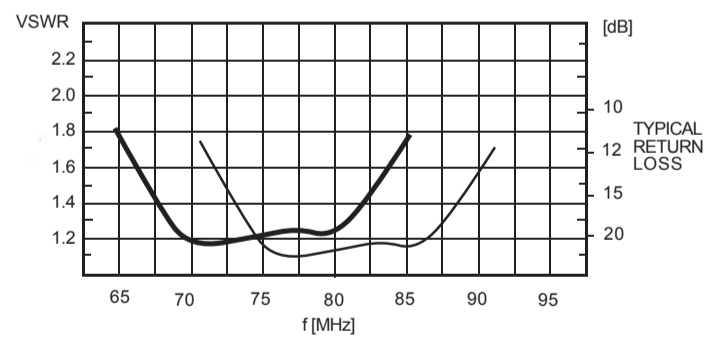
WIPIC reserves the right to amend specifications in the light of continuing development.

wipic

**4 ELEMENT YAGI ANTENNA
WS 204 13 .1 .
68 ... 88 MHz**



TYPE NO.	vertical polarization WS 204 13 11 4: 68 - 81 MHz WS 204 13 11 5: 72 - 88 MHz
	horizontal polarization WS 204 13 21 4: 68 - 81 MHz WS 204 13 21 5: 72 - 88 MHz further frequencies on request
DESCRIPTION	heavy duty, with radom The radom protects the antenna dipole against environmental influences, icing, and increases the lightning protection.
IMPEDANCE	50 Ω
GAIN	3.5 - 5 dB (ref. to λ/2 dipole)
VSWR	< 1.3, at the limits of the band < 1.5
POWER	250 watts, higher power on request
3 dB BEAMWIDTH	in polarization, E-plane: 67° vertical to pol. H-plane: 126°
TERMINATION	2 m cable RG 213/U with N male other termination on request
GROUNDING	all metal parts are DC grounded
MOUNTING	<i>mast ø</i> <i>clamp (see chapt. 10)</i> 30 - 80 mm WG 17 (standard) 50 - 104 mm WG 18 (option) other clamp on request
MATERIAL	aluminium, bolts of stainless steel, radom of UV-stabilized polyethylene
WEIGHT	8 kg
WIND AREA	0.35 m ²
WIND LOAD	450 N 150 km/h 340 N 130 km/h

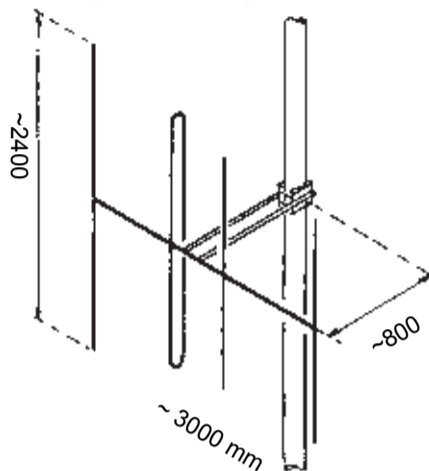


KW 1-08

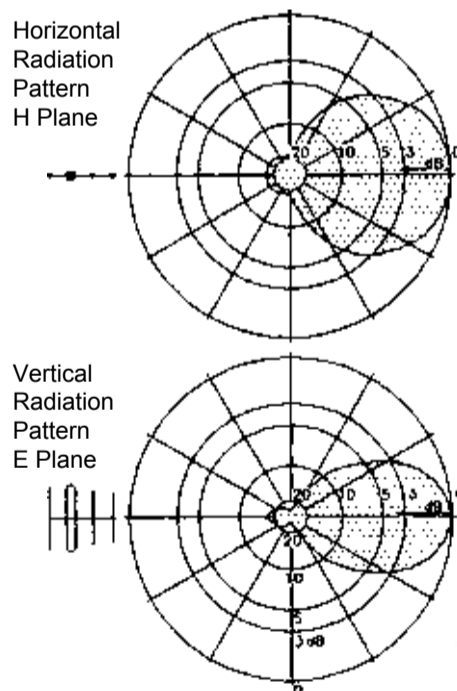
WIPIC reserves the right to amend specifications in the light of continuing development.

wipic

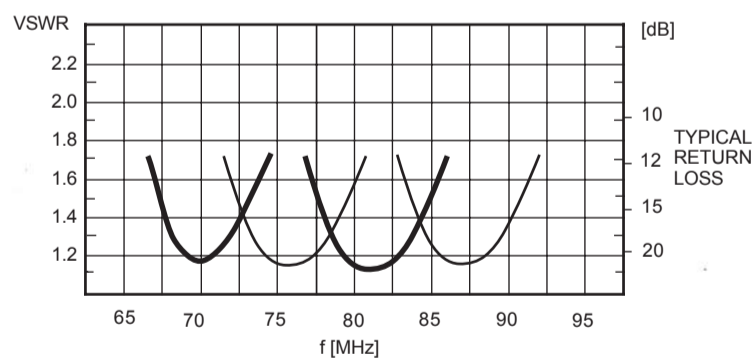
**4- ELEMENT YAGI ANTENNA
WS 204 02 12 .
68 ... 88 MHz**



TYPE NO.	WS 204 02 12 6: 68 - 73 MHz WS 204 02 12 7: 73 - 78 MHz WS 204 02 12 8: 78 - 84 MHz WS 204 02 12 9: 83 - 88 MHz further frequencies on request, light execution
POLARIZATION	vertical
IMPEDANCE	50 Ω
GAIN	6 dB (ref. to λ/2 dipole)
VSWR	< 1.3 at the limits of the band < 1.5
POWER	max. 250 watts, higher power on request
3 dB BEAMWIDTH	horizontal, H-plane: 100° vertical, E-plane: 50°
TERMINATION	2 m cable RG 213/U ending with N male other termination on request
GROUNDING	all metal parts are DC grounded
MOUNTING	<i>mast</i> ∅ <i>clamp</i> (see <i>chapt. 10</i>) 30 - 80 mm WG 55 (standard) 50 - 104 mm WG 56 (option) clamp for other ∅ on request
MATERIAL	aluminium, bolts of stainless steel, weather-resistant plastic
WEIGHT	4 kg
WIND AREA	0.3 m ²
WIND LOAD	450 N 150 km/h 340 N 130 km/h



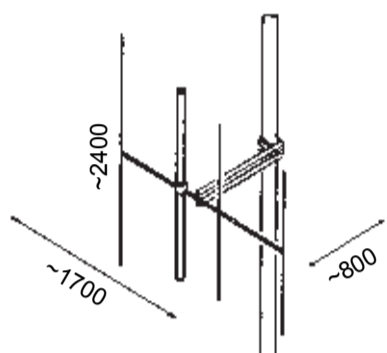
KW 1-08



WIPIIC reserves the right to amend specifications in the light of continuing development.

wipic

**4-ELEMENT YAGI ANTENNA
WS 204 03 12 .
68 ... 88 MHz**



TYPE NO. WS 204 03 12 6: 68 - 73 MHz
WS 204 03 12 7: 73 - 78 MHz
WS 204 03 12 8: 78 - 84 MHz
WS 204 03 12 9: 83 - 88 MHz
further frequencies on request

DESCRIPTION heavy duty, with radome
The radom protects the antenna dipole against environmental influences, icing, and increases the lightning protection.

POLARIZATION vertical

IMPEDANCE 50 Ω

GAIN 6 dB (ref. to λ/2 dipole)

VSWR < 1.3

POWER 250 watts

3 dB BEAMWIDTH horizontal, H-plane: 100°
vertical, E-plane: 50°

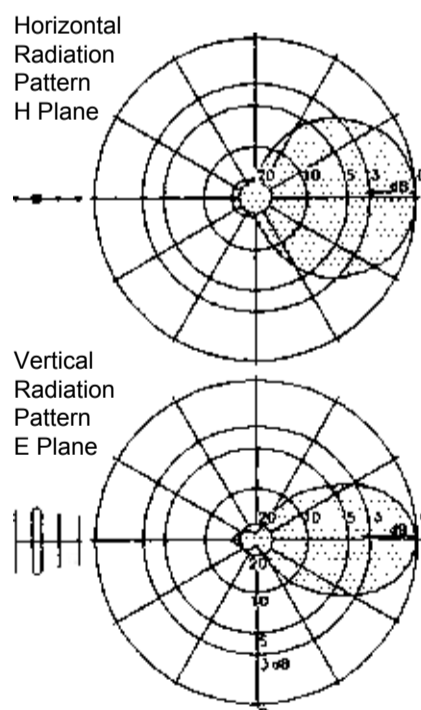
TERMINATION 2 m cable RG 213/U with N male
other termination on request

GROUNDING all metal parts are DC grounded

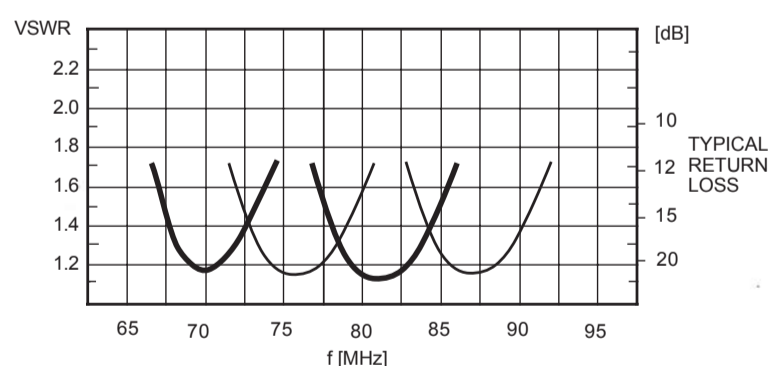
MOUNTING mast ø clamp (see chapt. 10)
30 - 80 mm WG 63 (standard)
50 - 104 mm WG 64 (option)
clamp for other o on request

MATERIAL aluminium, bolts of stainless steel, radom of UV-stabilized polyethylene

WEIGHT 8 kg
WIND AREA 0.35 m²
WIND LOAD 450 N 150 km/h
340 N 130 km/h



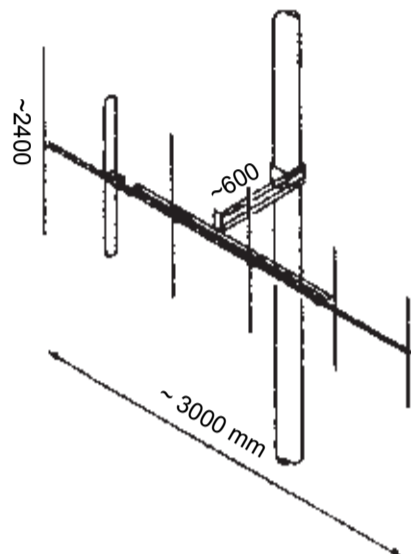
KW 1-08



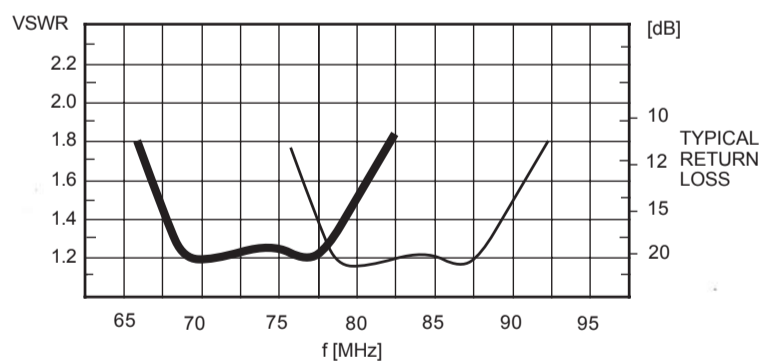
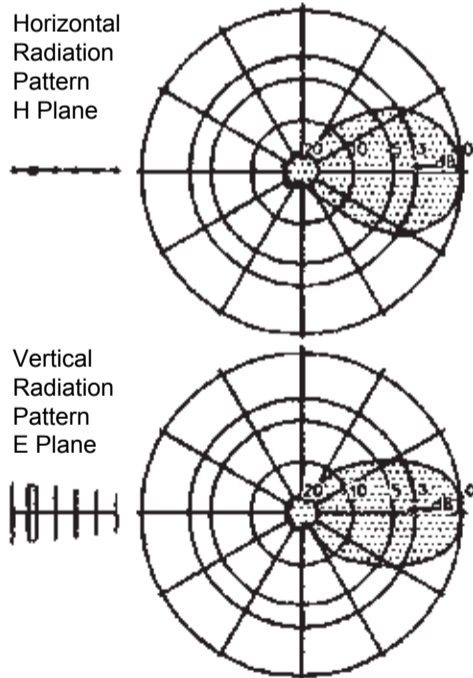
WIPIIC reserves the right to amend specifications in the light of continuing development.



6- ELEMENT YAGI ANTENNA
WS 206 02 12 .
68 ... 88 MHz



TYPE NO.	WS 206 02 12 8: 68 - 78 MHz WS 206 02 12 9: 78 - 88 MHz further frequencies on request, light execution
POLARIZATION	vertical
IMPEDANCE	50 Ω
GAIN	8.5 dB (ref. to λ/2 dipole)
VSWR	< 1.3 at the limits of the band < 1.5
POWER	max. 250 watts, higher power on request
3 dB BEAMWIDTH	horizontal, H-plane: 70° vertical, E-plane: 48°
TERMINATION	2 m cable RG 213/U ending with N male other termination on request
GROUNDING	all metal parts are DC grounded
MOUNTING	<i>mast ø</i> <i>clamp (see chapt. 10)</i> 30 - 80 mm WG 55 (standard) 50 - 104 mm WG 56 (option) clamp for other ø on request
MATERIAL	aluminium, bolts of stainless steel, weather-resistant plastic
WEIGHT	5.5 kg
WIND AREA	0.3 m ²
WIND LOAD	220 N 150 km/h 160 N 130 km/h



KW 1-08

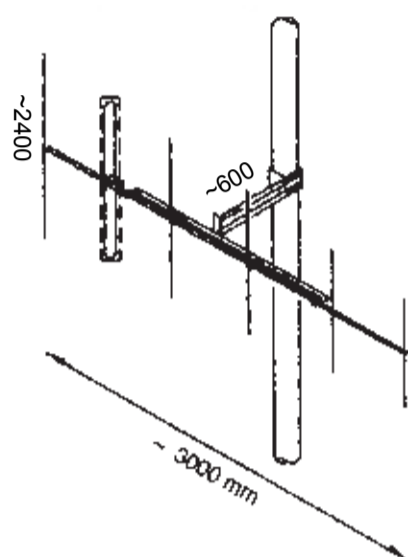
WIPIIC reserves the right to amend specifications in the light of continuing development.

wipic

6-ELEMENT YAGI ANTENNA

WS 206 03 12 .

68 ... 88 MHz



TYPE NO. WS 206 03 12 8: 68 - 78 MHz
 WS 206 03 12 9: 78 - 88 MHz
 further frequencies on request

DESCRIPTION heavy duty, with radom
 The radom protects the antenna dipole against environmental influences, icing, and increases the lightning protection.

POLARIZATION vertical

IMPEDANCE 50 Ω

GAIN 8.5 dB (ref. to λ/2 dipole)

VSWR < 1.3

POWER 250 watts

3 dB BEAMWIDTH horizontal, H-plane: 70°
 vertical, E-plane: 48°

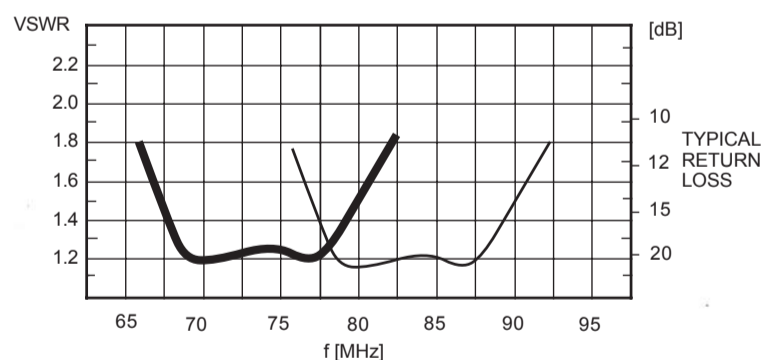
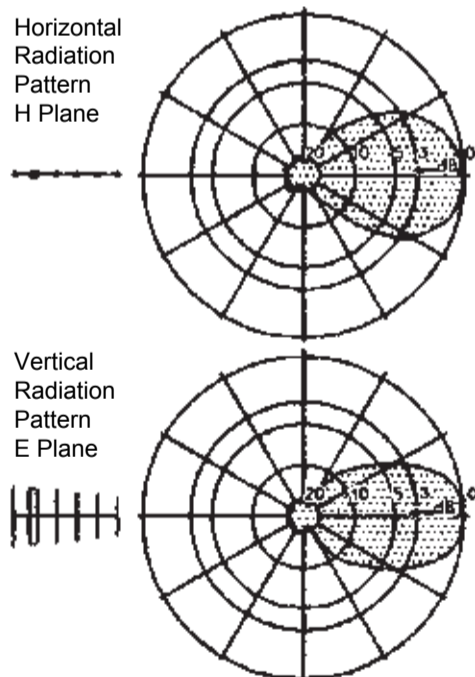
TERMINATION 2 m cable RG 213/U with N male
 other termination on request

GROUNDING all metal parts are DC grounded

MOUNTING mast ø clamp (see chapt. 10)
 30 - 80 mm WG 63 (standard)
 50 - 104 mm WG 64 (option)
 clamp for other o on request

MATERIAL aluminium, bolts of stainless steel, radom of UV-stabilized polyethylene

WEIGHT 8 kg
WIND AREA 0.35 m²
WIND LOAD 450 N 150 km/h
 340 N 130 km/h

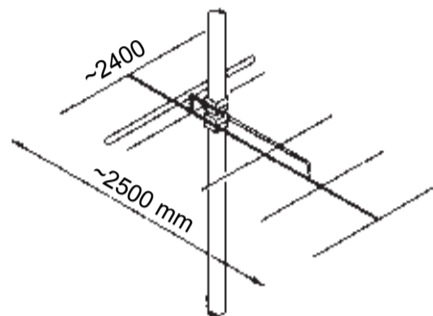


KW 1-08

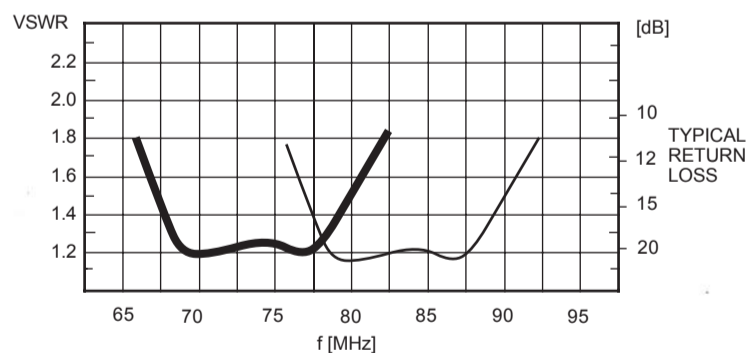
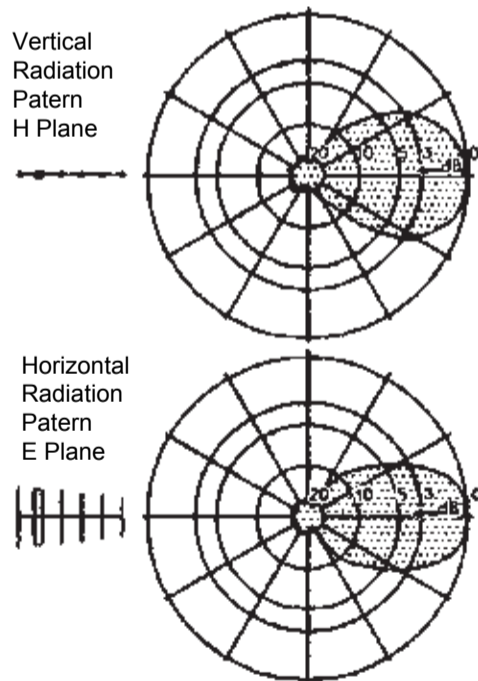
WIPIC reserves the right to amend specifications in the light of continuing development.

wipic

6-ELEMENT YAGI ANTENNA
WS 206 02 23 .
68 ... 89 MHz



TYPE NO.	WS 206 02 23 8: 68 - 78 MHz WS 206 02 23 9: 78 - 88 MHz further frequencies on request, light execution	
POLARIZATION	horizontal	
IMPEDANCE	50 Ω	
GAIN	8 dB (ref. to λ/2 dipole)	
VSWR	< 1.3, at the limits of the band <1.5	
POWER	max. 250 watts, higher power on request	
3 dB BEAMWIDTH	horizontal	H-plane: 50°
	vertical	E-plane: 80°
TERMINATION	2 m cable RG 213/U ending with N male other termination on request	
GROUNDING	all metal parts are DC grounded	
MOUNTING	<i>mast ø</i> <i>clamp (see chapt. 10)</i> 30 - 80 mm WG 11 (standard) 50 - 104 mm WG 12 (option) clamp for other mast ø on request	
MATERIAL	aluminium, bolts of stainless steel, weather-resistant plastic	
WEIGHT	3.4 kg	
WIND AREA	0.17 m ²	
WIND LOAD	220 N 150 km/h 160 N 130 km/h	

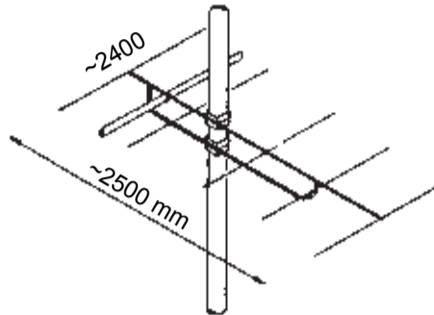


KW 1-08

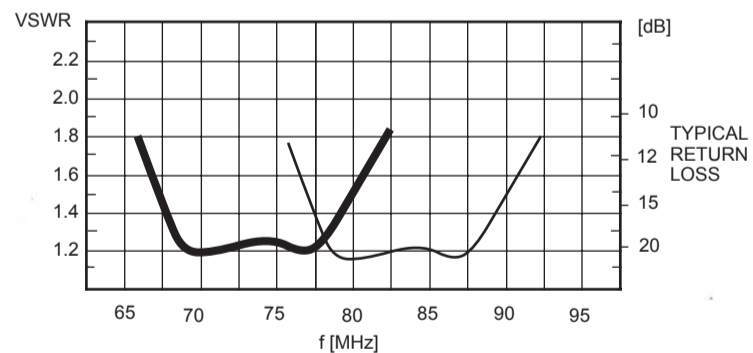
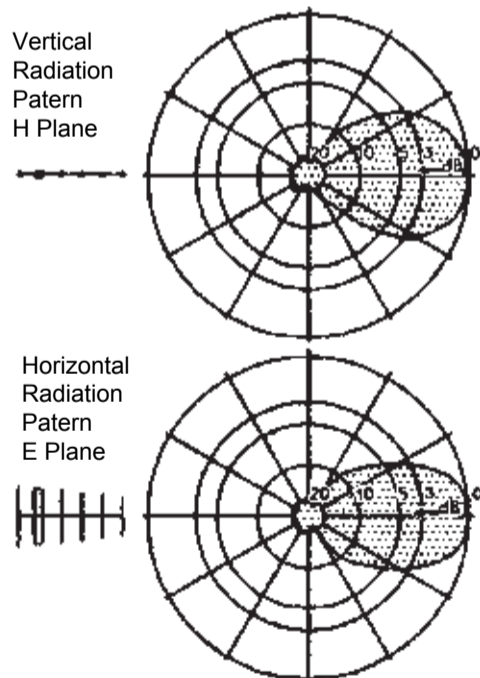
WIPIC reserves the right to amend specifications in the light of continuing development.

wipic

**6-ELEMENT YAGI ANTENNA
WS 206 03 23 .
68 ... 89 MHz**



TYPE NO.	WS 206 03 23 8: 68 - 78 MHz WS 206 03 23 9: 78 - 88 MHz further frequencies on request
DESCRIPTION	heavy duty, with radom The radom protects the antenna dipole against environmental influences, icing, and increases the lightning protection.
POLARIZATION	horizontal
IMPEDANCE	50 Ω
GAIN	8 dB (ref. to λ/2 dipole)
VSWR	< 1.3
POWER	250 watts, higher power on request
3 dB BEAMWIDTH	in polarization, E-plane: 50° vertical to pol. H-plane: 80°
TERMINATION	2 m cable RG 213/U with N male other termination on request
GROUNDING	all metal parts are DC grounded
MOUNTING	<i>mast ø</i> <i>clamp (see chapt. 10)</i> 30 - 80 mm WG 13 (standard) 50 - 104 mm WG 14 (option) other clamp on request
MATERIAL	aluminium, bolts of stainless steel, radom of UV-stabilized polyethylene
WEIGHT	9 kg
WIND AREA	0.34 m ²
WIND LOAD	435 N 150 km/h 325 N 130 km/h

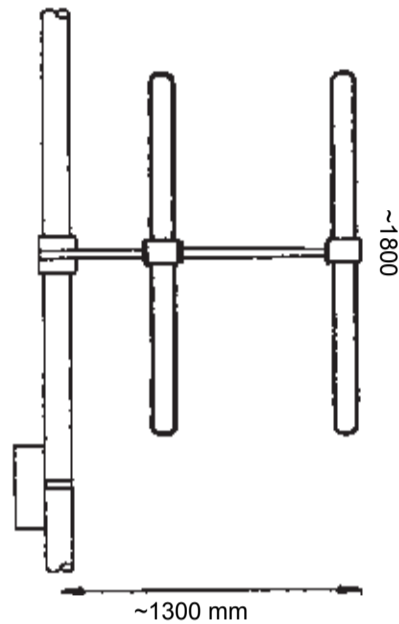


KW 1-08

WIPIC reserves the right to amend specifications in the light of continuing development.

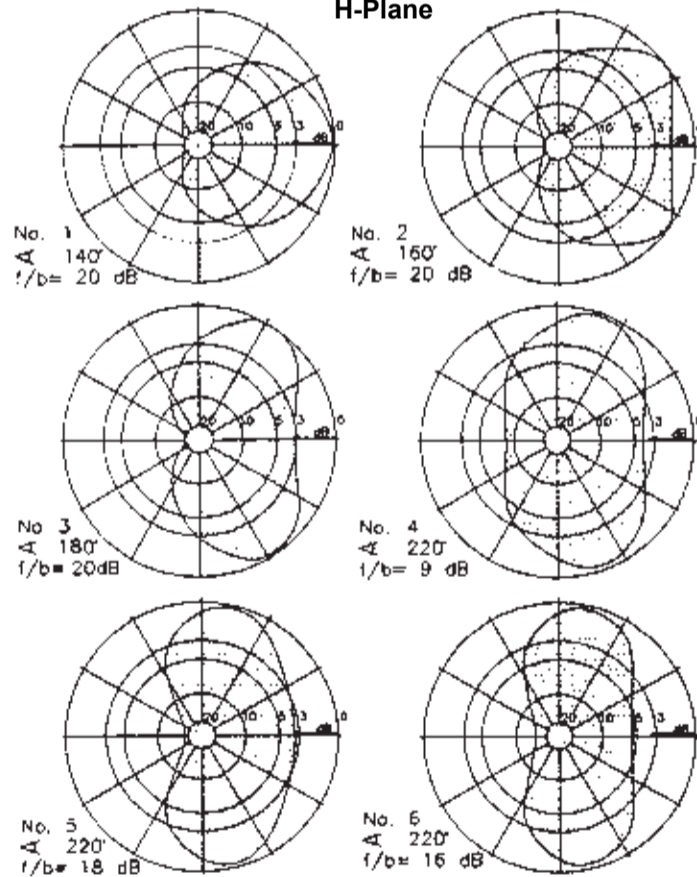
wipic

**DIRECTIONAL ANTENNA TYPE KLEEWI
WS 251 02 11
68 ... 88 MHz**



TYPE NO.	WS 251 02 11 : (desired frequency) The antenna is tuned to the desired frequency in the band 68 - 88 MHz further frequencies on request, light execution
DESCRIPTION	This antenna produces various radiation patterns and f/b ratios, see figures
POLARIZATION	vertical
IMPEDANCE	50 Ω
GAIN	3 dB (ref. λ/2 dipole)
VSWR	< 1.3, at the limits of the band <1.4
POWER	max. 350 watts, higher power on request
3 dB BEAMWIDTH	horizontal: see radiation patterns vertical: ~ 78°
TERMINATION	in the junction box WAK1 ending with N male other termination on request
GROUNDING	all metal parts are DC grounded
MOUNTING	<i>mast-ø</i> <i>clamp</i> 30 - 80 mm WG 17 (standard) 50 - 104 mm WG 18 (option) clamp for other mast-ø on request

**TYPICAL RADIATION PATTERNS
H-Plane**



MATERIAL	aluminium, bolts of stainless steel, weather-resistant plastics
WEIGHT	5 kg
WIND AREA	0.2 m ²
WIND LOAD	255 N (150 km/h) 190 N (130 km/h)

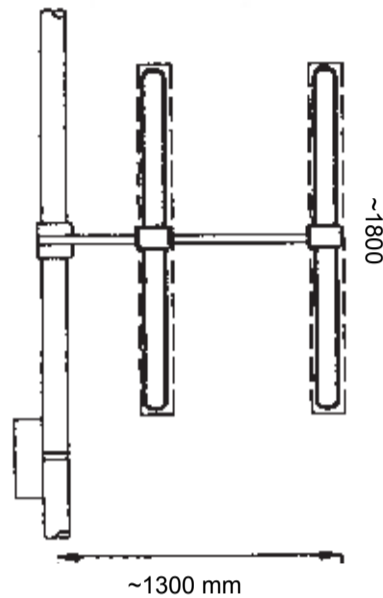
WIPIC reserves the right to amend specifications in the light of continuing development.

KW 1-08

wipic

DIRECTIONAL ANTENNA TYPE KLEEWI

**WS 251 03 11
68 ... 88 MHz**



TYPE NO. **WS 251 03 11 : (desired frequency)**
The antenna is tuned to the desired frequency in the band 68 - 87.5 MHz
further frequencies on request

DESCRIPTION heavy duty, with radome
The radome protects the antenna dipole against environmental influences, icing, and increases the lightning protection.
This antenna produces various radiation patterns and f/b ratios, see figures.

POLARIZATION vertical

IMPEDANCE 50 Ω

GAIN 3 dB (ref. λ/2 dipole)

VSWR < 1.3, at the limits of the band < 1.4

POWER max. 350 watts, higher power on request

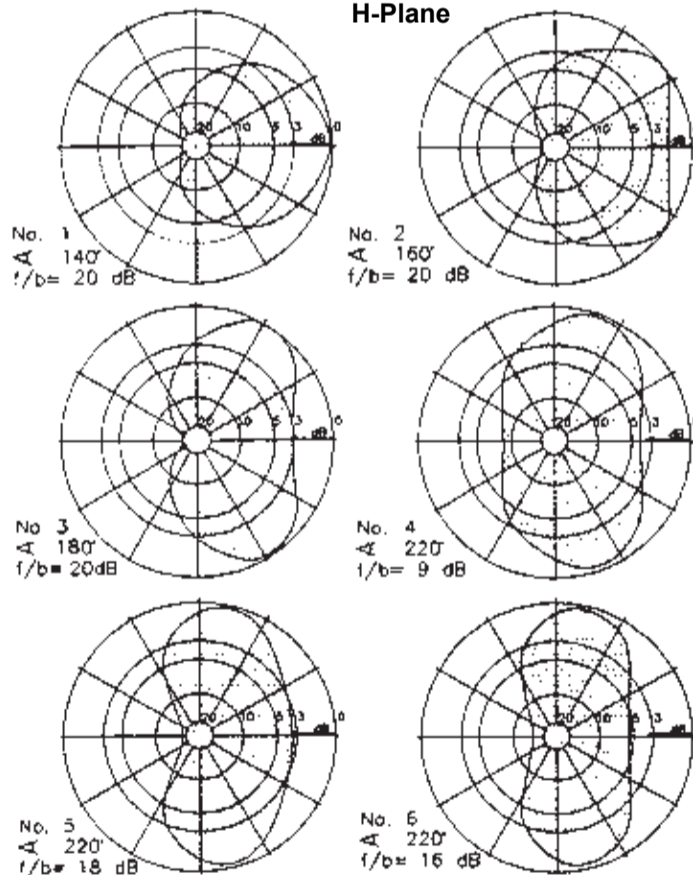
3 dB BEAMWIDTH horizontal: see radiation patterns
vertical: ~ 78°

TERMINATION in the junction box WAK1 ending with N male
other termination on request

GROUNDING all metal parts are DC grounded

TYPICAL RADIATION PATTERNS

H-Plane



MOUNTING mast-ø clamp (chapt. 10)
30 - 80 mm WG 17 (standard)
50 - 104 mm WG 18 (option)
clamp for other mast-ø on request

MATERIAL aluminium, bolts of stainless steel, UV-stabilized PE

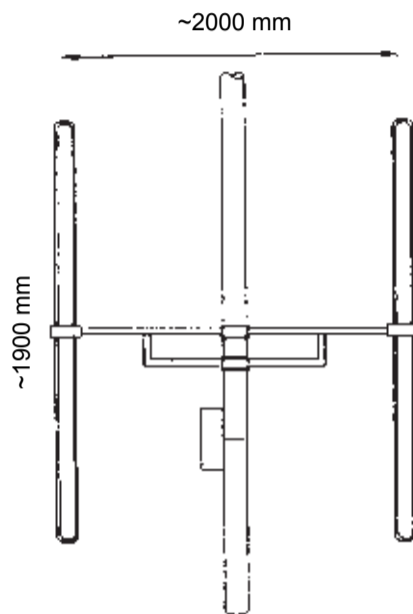
WEIGHT 21 kg
WIND AREA 0.56 m²
WIND LOAD 715 N (150 km/h)
540 N (130 km/h)

WIPIC reserves the right to amend specifications in the light of continuing development.

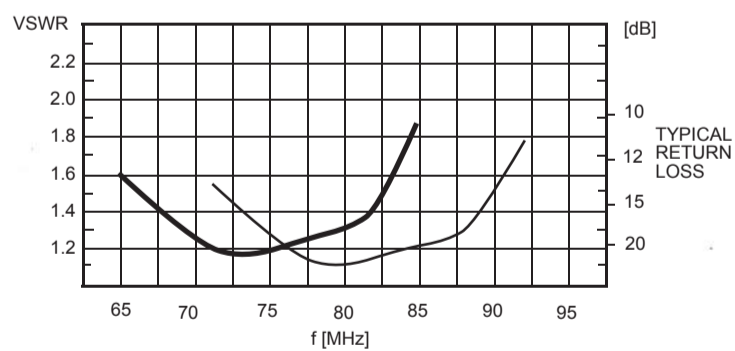
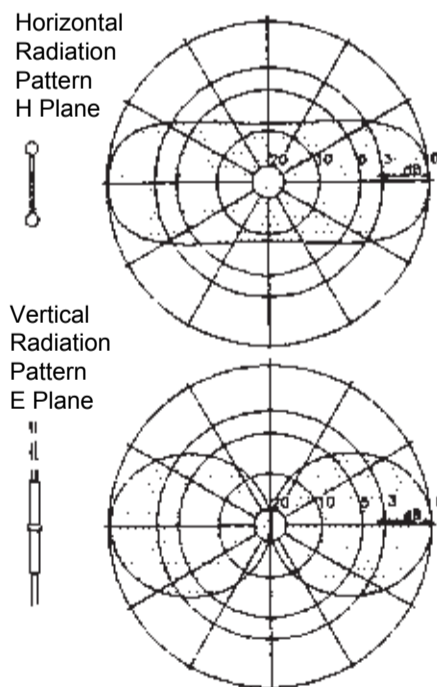
KW 1-08



BIDIRECTIONAL ANTENNA
WS 253 12 13 .
68 ... 88 MHz



TYPE NO.	WS 253 12 13 4: 68 - 82 MHz WS 253 12 13 5: 74 - 88 MHz further frequencies on request, light execution
POLARIZATION	vertical
IMPEDANCE	50 Ω
GAIN	1.5 - 2.2 dB (ref. to λ/2 dipole)
VSWR	< 1.3, at the limits of the band < 1.5
POWER	max. 500 watts, higher power on request
3 dB BEAMWIDTH	horizontal, H-plane: 2x 69° vertical, E-plane: 78°
TERMINATION	in the junction box WAK 1 ending with N male other termination on request
GROUNDING	all metal parts are DC grounded
MOUNTING	<i>mast</i> ∅ <i>clamp</i> (see chapt. 10) 30 - 80 mm WG 13 (standard) 50 - 104 mm WG 14 (option) clamp for other mast-∅ on request
MATERIAL	aluminium, bolts of stainless steel, weather-resistant plastic
WEIGHT	5 kg
WIND AREA	0.2 m ²
WIND LOAD	255 N 150 km/h 190 N 130 km/h

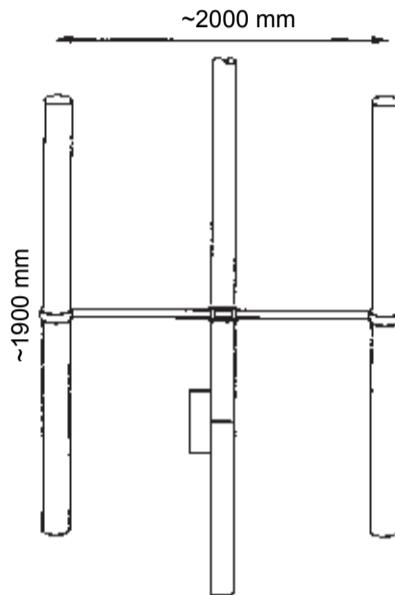


KW 1-08

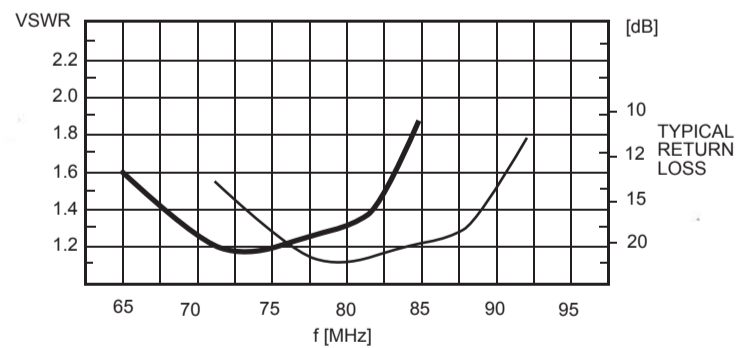
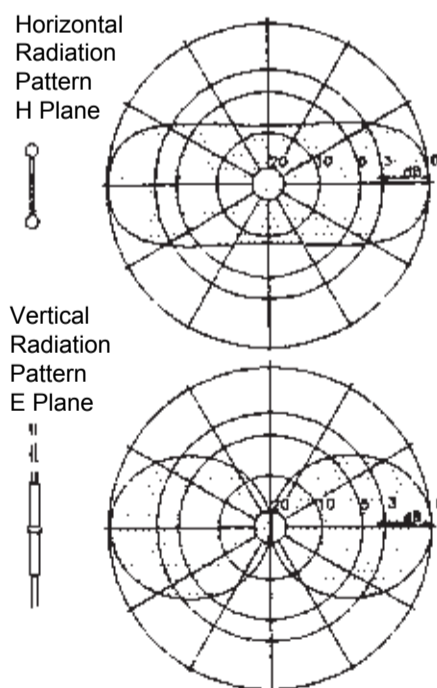
WIPIC reserves the right to amend specifications in the light of continuing development.



BIDIRECTIONAL ANTENNA
WS 253 13 13 .
68 ... 88 MHz



TYPE NO.	WS 253 13 13 4: 68 - 82 MHz WS 253 13 13 5: 74 - 88 MHz further frequencies on request
DESCRIPTION	heavy duty, with radom The radom protects the antenna dipole against environmental influences, icing, and increases the lightning protection.
POLARIZATION	vertical
IMPEDANCE	50 Ω
GAIN	1.5 - 2.2 dB (ref. to λ/2 dipole)
VSWR	< 1.3, at the limits of the band < 1.5
POWER	500 watts, higher power on request
3 dB BEAMWIDTH	horizontal, H-plane: 2x69° vertical, E-plane: 70°
TERMINATION	in the junction box WAK 1 ending with N male other termination on request
GROUNDING	all metal parts are DC grounded
MOUNTING	<i>mast</i> ∅ <i>clamp</i> (see chapt. 10) 30 - 80 mm WG 17 (standard) 50 - 104 mm WG 18 (option) clamp for other mast-∅ on request
MATERIAL	aluminium, bolts of stainless steel, radom of UV-stabilized polyethylene
WEIGHT	11 kg
WIND AREA	0.38 m ²
WIND LOAD	485 N 150 km/h 365 N 130 km/h



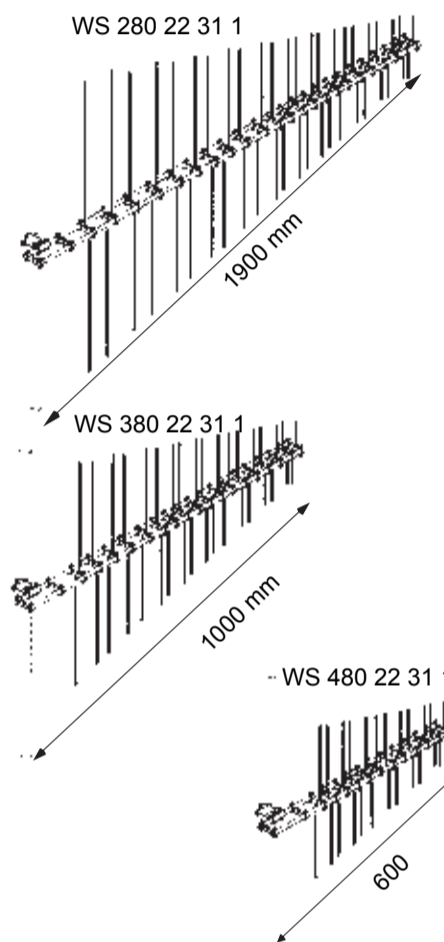
KW 1-09

WIPIC reserves the right to amend specifications in the light of continuing development.



LOG PERIODIC ANTENNAS

WS .80 22 31 1
87 ... 1000 MHz



TYPE NO.	Type	MHz	L
	WS 280 22 31 1	87.5 - 1000	1900
	WS A80 22 31 1	108 - 1000	1500
	WS 380 22 31 1	174 - 1000	1000
	WS 480 22 31 1	470 - 1000	600
	other bands on request		
POLARIZATION	vertikal or horizontal on request		
IMPEDANCE	50 or 75 Ω		
GAIN	5-6dB ref. λ/2 Dipol 7-8 dBi F/B 20 - 25 dB		
VSWR	≤ 2.5 preferred < 1.5		
POWER	300 - 1000 watts		
3 dB BEAMWIDTH	E-plane: 60 -70° H-plane: 110 - 130°		
TERMINATION	2 m cable RG 213/U or RG 11 ending with N male other termination on request		
GROUNDING	all metal parts are DC grounded		
MOUNTING	mast-ø	clamp	
	30 - 80 mm	WG 11 (standard)	
	50 - 104 mm	WG 12 (option)	
	clamp for other mast-ø on request		
MATERIAL	aluminium, bolts of stainless steel, weather-resistant plastics		
WEIGHT	280 ..	380 ..	480 ..
WIND AREA	3.9 kg	2.3 kg	1.4 kg
WIND LOAD	0.21 m ²	0.093 m ²	0.052 m ²
	270 N	120 N	66 N at 150 km/h
	200 N	90 N	50 N at 130 km/h

WS 280 22 31 1



KW 1-08

WIPIC reserves the right to amend specifications in the light of continuing development.