

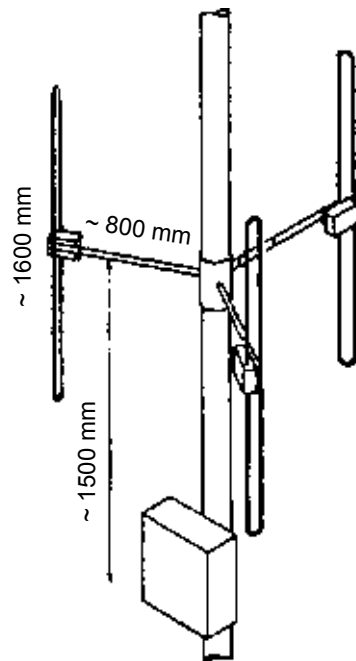


Omnidirectional Antennas 87.5 ... 108 MHz FM

ORDER NUMBER	TYPE
WS U00 42 18	omnidirectional
WS U00 44 18	omnidirectional, heavy duty with radome
WS U00 54 18	omnidirectional, heavy duty with radome
WS U00 54 1 2S	3 dB omnidirectional, heavy duty with radome, stacked
WS U00 84 15	omnidirectional, gp
WS U00 86 1	omnidirectional gp, adjustable
WS U01 12 10 8	3 dB offset pattern antenna
WS U01 13 10 8	3 dB offset pattern antenna, heavy duty with radome
WS U01 12 11 8	5 dB offset pattern antenna
WS U01 13 11 8	5 dB offset pattern antenna, heavy duty with radome
WS U01 02 12 8	8 dB offset pattern antenna
WS U01 03 12 8	8 dB offset pattern antenna, heavy duty with radome
WS U01 03 13 8	10 dB offset pattern antenna, heavy duty with radome
WS U01 13 20 8	dipole with horizontal polarization
WS U01 13 21 .	horizontal omnidirectional antenna
WS U01 13 22 8	1 dBd horizontal omnidirectional antenna
WS U01 52 20 8	halo antenna

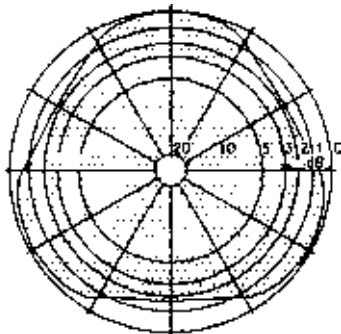
wipic

**OMNIDIRECTIONAL ANTENNA
WS U00 42 18
87.5 - 108 MHz**

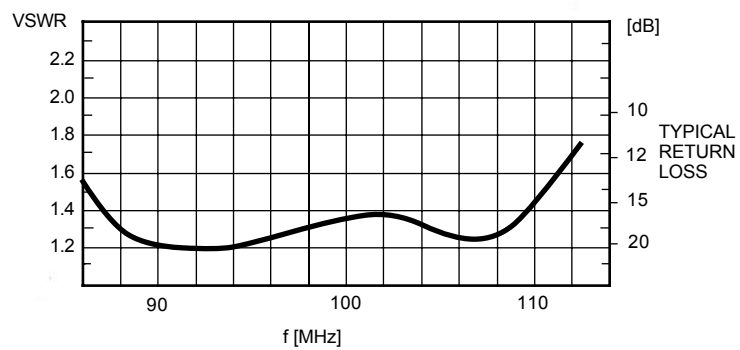
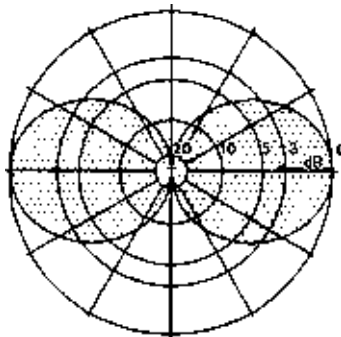


TYPE NO.	WS U00 42 18 : 87.5 - 108 MHz light execution without radome
POLARIZATION	vertical
IMPEDANCE	50 Ω
GAIN	0 dB (ref. λ/2 dipole)
VSWR	< 1.3, at the limits of the band <1.6
POWER	max. 600 watts, higher ratings on request
3 dB BEAMWIDTH	horizontal, H plane: 360° (deviation from circularity ± 1.5 dB) vertical, E plane: 78°
TERMINATION	in the junction box WAK 1 ending with N male other termination on request
GROUNDING	all metal parts are DC grounded
MOUNTING	on mast with ø 60 - 104 mm clamp for other mast-ø on request
MATERIAL	aluminium, bolts of stainless steel, weather-resistant plastics
WEIGHT	16 kg
WIND AREA	0.5 m ²
WIND LOAD	640 N (150 km/h) 480 N (130 km/h)

Horizontal
Radiation
Pattern
H Plane



Vertical
Radiation
Pattern
E Plane

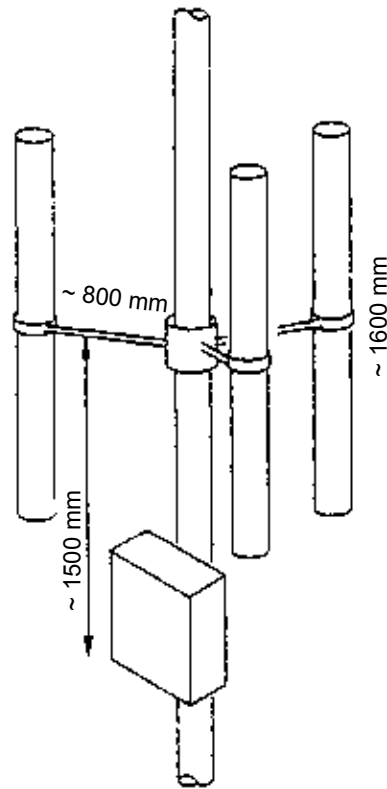


KW 1-08

WIPIC reserves the right to amend specifications in the light of continuing development.

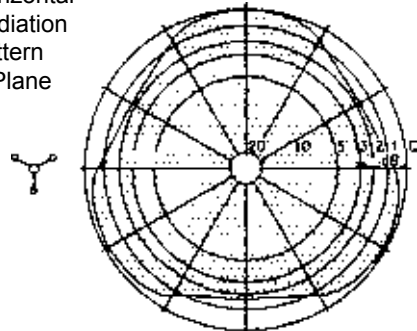
wipic

**OMNIDIRECTIONAL ANTENNA
WS U00 44 18
87.5 - 108 MHz**

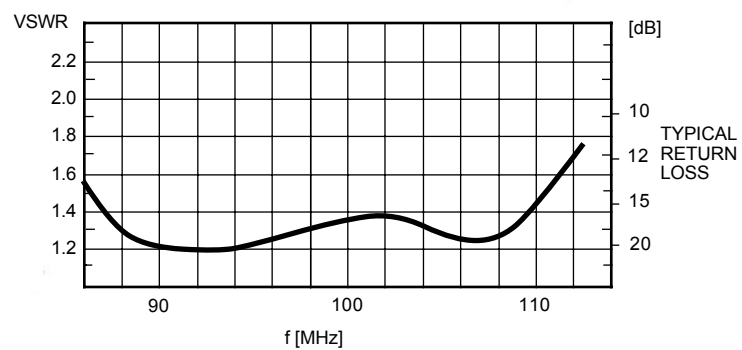
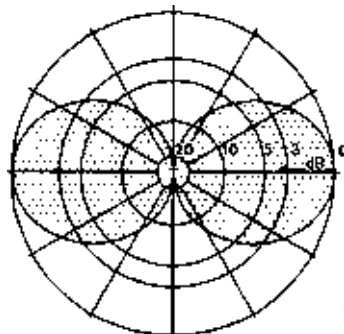


TYPE NO.	WS U00 44 18 : 87.5 - 108 MHz,
DESCRIPTION	heavy duty with radome The radome protects the antenna dipoles from environmental influences, icing, and increases the lightning protection.
POLARIZATION	vertical
IMPEDANCE	50 Ω
GAIN	0 dB (ref. λ/2 dipole)
VSWR	< 1.3, at the limits of the band <1.6
POWER	max. 600 watts, higher ratings on request
3 dB BEAMWIDTH	horizontal, H plane: 360° (deviation from circularity ± 1.5 dB) vertical, E plane: 78°
TERMINATION	in the junction box WAK 1 ending with N male other termination on request
GROUNDING	all metal parts are DC grounded
MOUNTING	on mast with ø 60 - 104 mm, larger Ø on request clamp for other mast-ø on request
MATERIAL	aluminium, bolts of stainless steel, weather-resistant plastics, radome of UV-stablized polyethylene
WEIGHT	27 kg
WIND AREA	0.5 m ²
WIND LOAD	640 N (150 km/h) 480 N (130 km/h)

Horizontal
Radiation
Pattern
H Plane



Vertical
Radiation
Pattern
E Plane

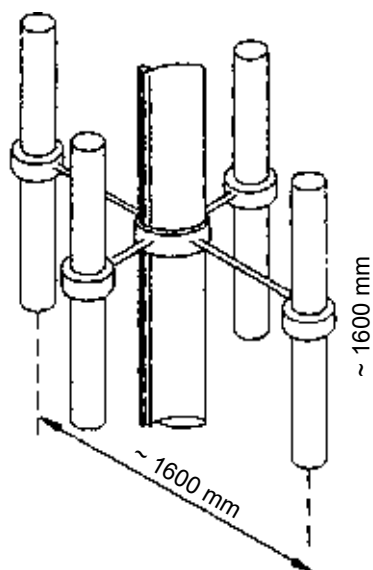


KW 1-08

WIPIC reserves the right to amend specifications in the light of continuing development.

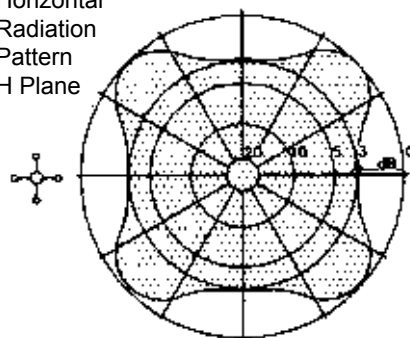
wipic

**OMNIDIRECTIONAL ANTENNA
WS U00 54 18
87.5 - 108 MHz**

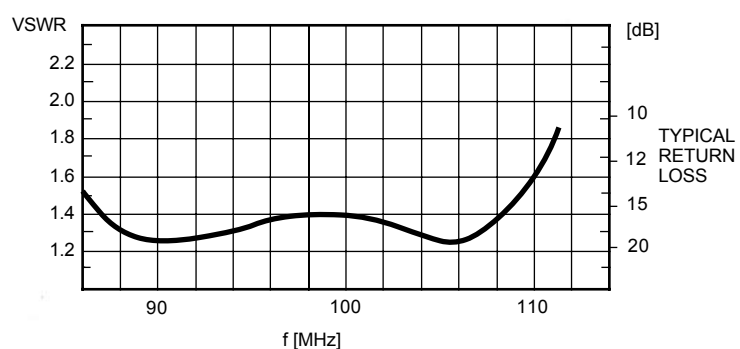
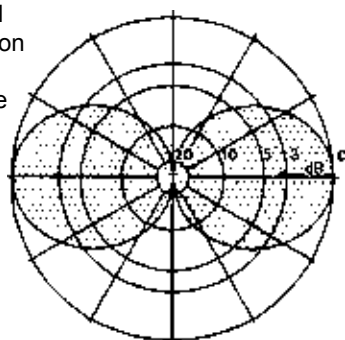


TYPE NO.	WS U00 54 18 : 87.5 - 108 MHz further frequencies on request
DESCRIPTION	heavy duty, with radome The radome protects the antenna dipole from environmental influences, icing, and increases the lightning protection.
POLARIZATION	vertical
IMPEDANCE	50 Ω
GAIN	0 dB (ref. λ/2 dipole)
VSWR	< 1.3, at the limits of the band <1.5
POWER	max. 600 watts, higher ratings on request
3 dB BEAMWIDTH	horizontal, H plane: 360° (deviation from circularity ≤ 1.5 dB) vertical, E plane: 78°
TERMINATION	in the junction box WAK 1 ending with N male other termination on request
GROUNDING	all metal parts are DC grounded
MOUNTING	on mast with outer ø ≤ 650 mm with clamp of hot dip galvanized steel
MATERIAL	aluminium, bolts of stainless steel, weather-resistant plastics, radome of UV-stabilized polyethylene
WEIGHT	21 kg (without WAK 1 and clamp)
WIND AREA	0.44 m ²
WIND LOAD	562 N (150 km/h) 422 N (130 km/h)

Horizontal
Radiation
Pattern
H Plane



Vertical
Radiation
Pattern
E Plane

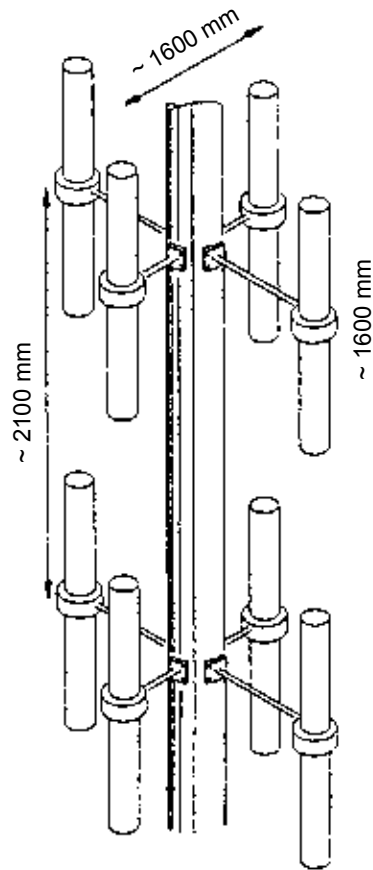


KW 1-08

WIPIC reserves the right to amend specifications in the light of continuing development.

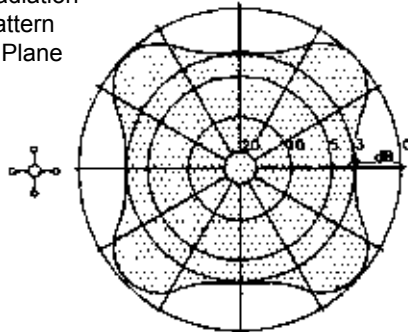


3dB OMNIDIRECTIONAL ANTENNA FOR THICK MASTS
WS U00 54 1 2S
87.5 ... 108 MHz

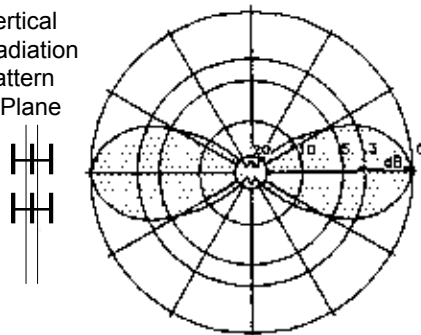


TYPE NO.	WS U00 54 1 2S : 87.5 ... 108 MHz please specify frequency band
DESCRIPTION	heavy duty, with radome The radome protects the antenna dipole from environmental influences, icing, and increases the lightning protection; downtilt on request.
POLARIZATION	vertical
IMPEDANCE	50 Ω
GAIN	3 dB (ref. λ/2 dipole)
VSWR	< 1.2 on tuned frequency
POWER	max. 1000 watts, higher ratings on request
3 dB BEAMWIDTH	horizontal, H plane: 360° (deviation from circularity ≤ 1.5 dB) vertical, E plane: 45°
TERMINATION	in the junction box WAK 1 ending with N male other termination on request
GROUNDING	all metal parts are DC grounded
MOUNTING	on mast with outer ø ≤ 650 mm with clamp of hot dip galvanized steel please give mast diameter
MATERIAL	aluminium, bolts of stainless steel, weather-resistant plastics, radome of UV-stabilized polyethylene
WEIGHT	30 kg (without WAK 1 and clamp)
WIND AREA	1.3 m ²
WIND LOAD	1660 N (150 km/h) 1250 N (130 km/h)

Horizontal
Radiation
Pattern
H Plane



Vertical
Radiation
Pattern
E Plane

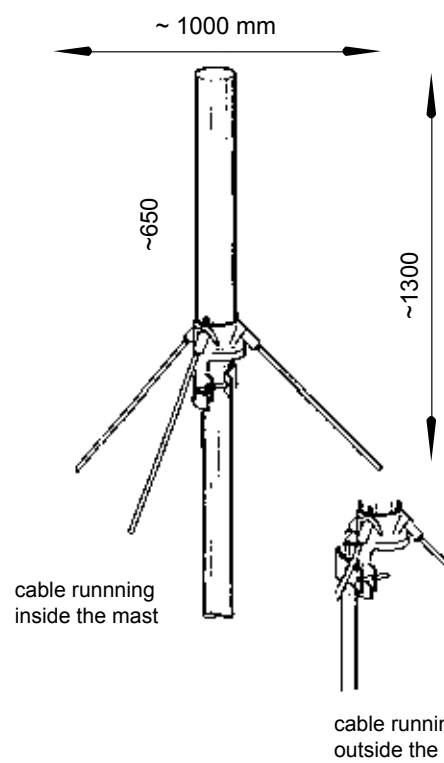


KW 1-08

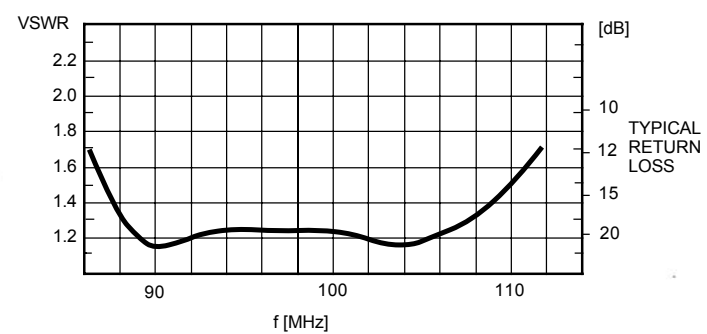
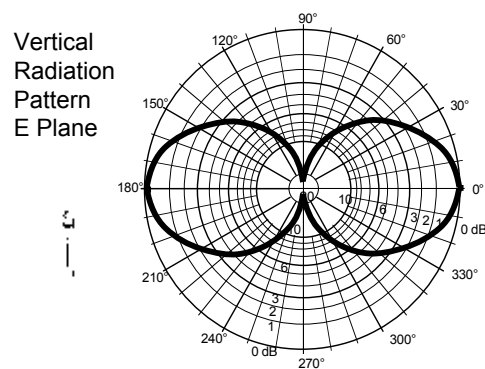
WIPIC reserves the right to amend specifications in the light of continuing development.

wipic

**OMNIDIRECTIONAL ANTENNA
WS U00 84 15
87.5 - 108 MHz**



TYPE NO.	WS U00 84 15: 87.5 - 108 MHz further frequencies on request
DESCRIPTION	antenna with radome The radome protects the antenna from environmental influences, icing, and increases the lightning protection.
POLARIZATION	vertical
IMPEDANCE	50 Ω
GAIN	0 dB (ref. λ/2 dipole)
VSWR	< 1.3, at the limits of the band <1.5
POWER	max. 600 watts
3 dB BEAMWIDTH	horizontal, H plane: 360° vertical, E plane: 78°
TERMINATION	~ 1 m cable ending with N male the cable must NOT be shortened (transformer) other termination on request
GROUNDING	all metal parts are DC grounded
MOUNTING	to 40 - 66 mm ø mast cable runs inside or outside the mast
MATERIAL	aluminium, bolts of stainless steel, weather-resistant plastics, radome of UV-stabilized polyethylene
WEIGHT	1.8 kg
WIND AREA	0.056 m ²
WIND LOAD	72 N (150 km/h) 54 N (130 km/h)

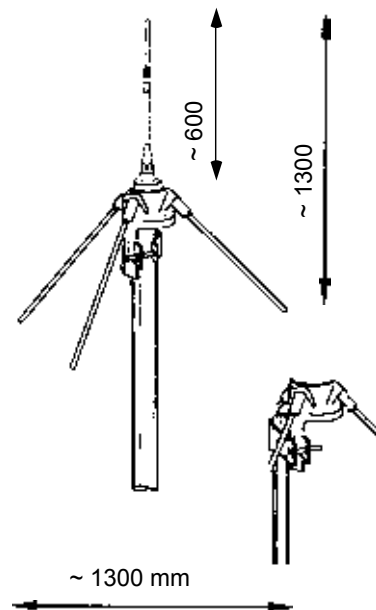


KW 1-08

WIPIIC reserves the right to amend specifications in the light of continuing development.

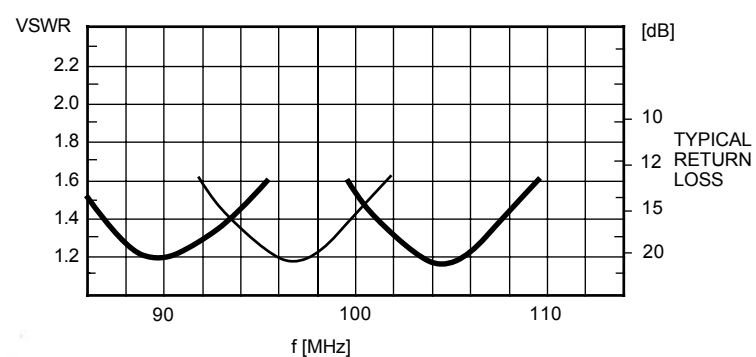
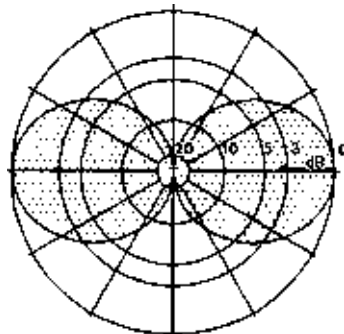


OMNIDIRECTIONAL ADJUSTABLE ANTENNA
WS U00 86 1
87.5 ... 108 MHz



TYPE NO.	WS U00 86 1: adjustable from 87.5 ... 108 MHz further frequencies on request
DESCRIPTION	groundplane antenna with adjustable radiator
POLARIZATION	vertical
IMPEDANCE	50 Ω
GAIN	0 dB (ref. $\lambda/2$ dipole)
VSWR	< 1.3 on tuned frequency
POWER	max. 300 watts, higher power on request
3 dB BEAMWIDTH	horizontal, H plane: 360° vertical, E plane: 78°
TERMINATION	1 m cable RG 213/U ending with N male other termination on request
GROUNDING	radiator not grounded, lightning protector type LPN is recommended
MOUNTING	to 40 - 66 mm \varnothing mast cable runs inside or outside the mast
MATERIAL	aluminium, bolts of stainless steel, weather-resistant plastics
WEIGHT	1.0 kg
WIND AREA	0.06 m ²
WIND LOAD	75 N (150 km/h) 55 N (130 km/h)

Vertical
Radiation
Pattern
E Plane

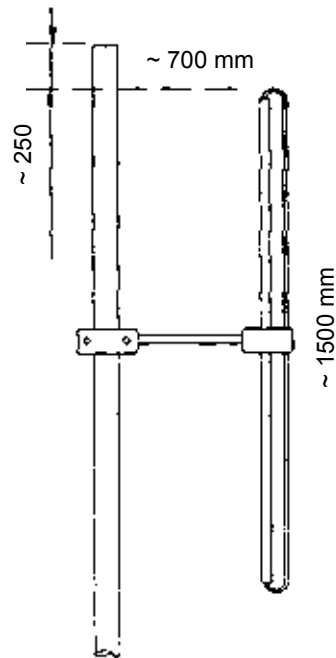


KW 1-08

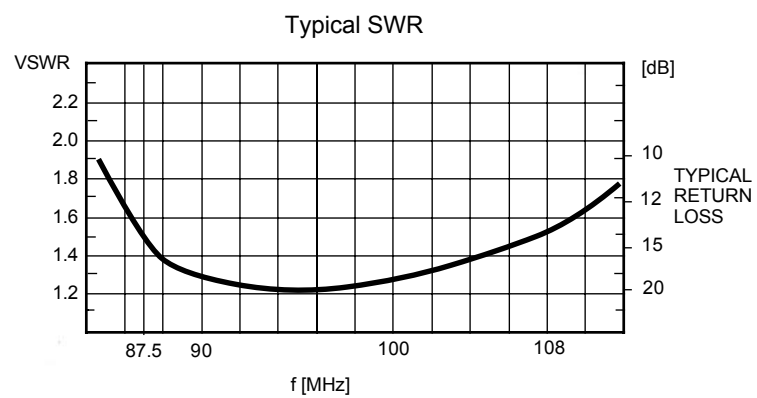
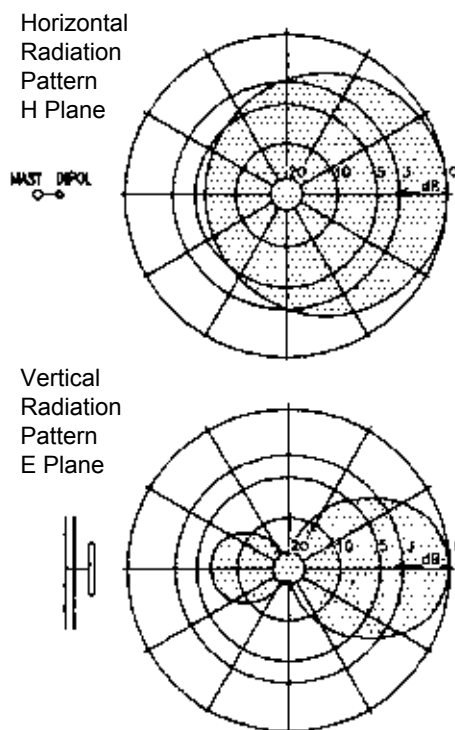
WIPIC reserves the right to amend specifications in the light of continuing development.

wipic

**OMNIDIRECTIONAL OFFSET-PATTERN ANTENNA
WS U01 12 10 8
87.5 - 108 MHz**



TYPE NO.	WS U01 12 10 8: 87.5 - 108 MHz light execution without radome, wall mounting on request
POLARIZATION	vertical
IMPEDANCE	50 Ω
GAIN	3dB (ref. λ/2 dipole)
VSWR	< 1.3, at the limits of the band <1.5
POWER	max. 250 watts, higher power on request
3 dB BEAMWIDTH	horizontal, H plane: 180° vertical, E plane: 75°
TERMINATION	2 m cable RG 213/U ending with N male other termination on request
GROUNDING	all metal parts are DC grounded
MOUNTING	<i>mast-ø</i> <i>clamps</i> 30 - 80 mm WG 11 (standard) 50 - 104 mm WG 12 (option) clamp for other mast-ø on request
MATERIAL	aluminium, bolts of stainless steel, weather-resistant plastics
WEIGHT	1.4 kg
WIND AREA	0.05 m ²
WIND LOAD	63 N (150 km/h) 47 N (130 km/h)

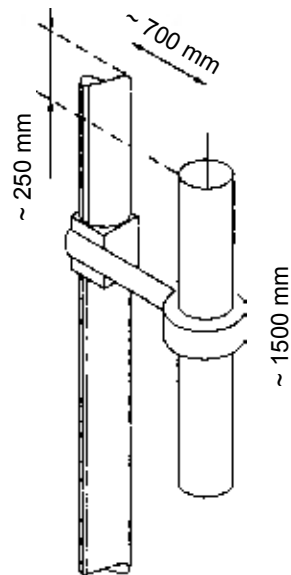


KW 1-08

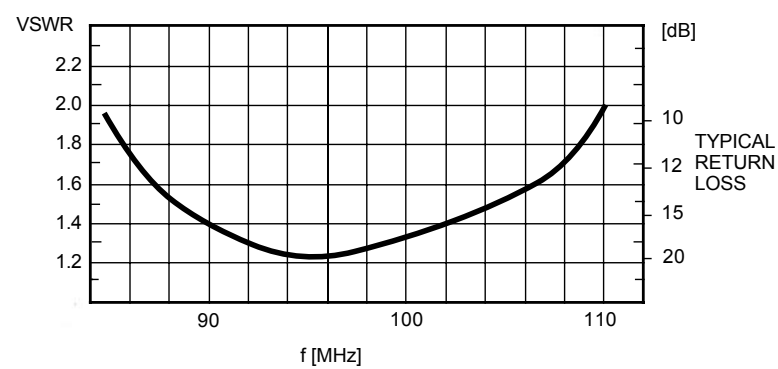
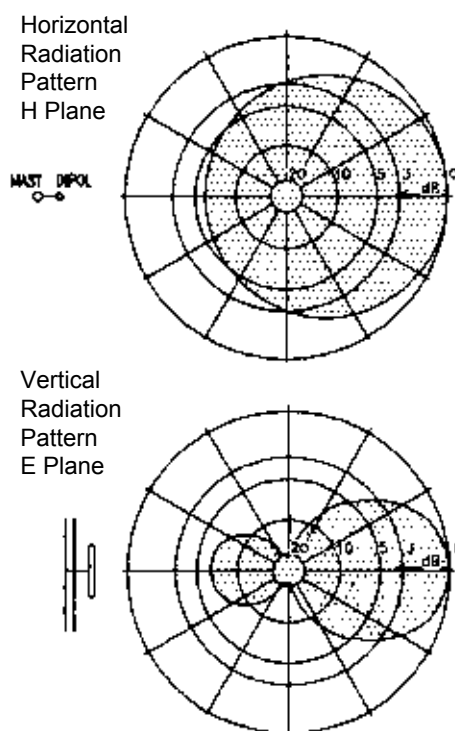
WIPIC reserves the right to amend specifications in the light of continuing development.

wipic

**3 dB OMNIDIRECTIONAL OFFSET-PATTERN ANTENNA
WS U01 13 10 8
87.5 - 108 MHz**



TYPE NO.	WS U01 13 10 8: 87.5 - 108 MHz further frequencies or wall mounting on request
DESCRIPTION	heavy duty with radome The radome protects the antenna against environmental influences, icing, and increases the lightning protection.
POLARIZATION	vertical
IMPEDANCE	50 Ω
GAIN	3 dB (ref. to λ/2 dipole) -3 dB in reverse direction
VSWR	< 1.3, at the limits of the band < 1.6
POWER	600 watts, higher ratings on request
3 dB BEAMWIDTH	horizontal (H-plane) 180° vertical (E-plane) 75°
TERMINATION	2 m cable RG 213/U ending with N male
GROUNDING	all metal parts are DC grounded
MOUNTING	<i>mast ø</i> <i>clamp (see chapt. 10)</i> 30 - 80 mm WG 17 50 - 104 mm WG 18 (option)
MATERIAL	aluminium, bolts of stainless steel, radome of UV-stabilized polyethylene
WEIGHT	4 kg
WIND AREA	0.14 m ²
WIND LOAD	178 N 150 km/h 134 N 130 km/h

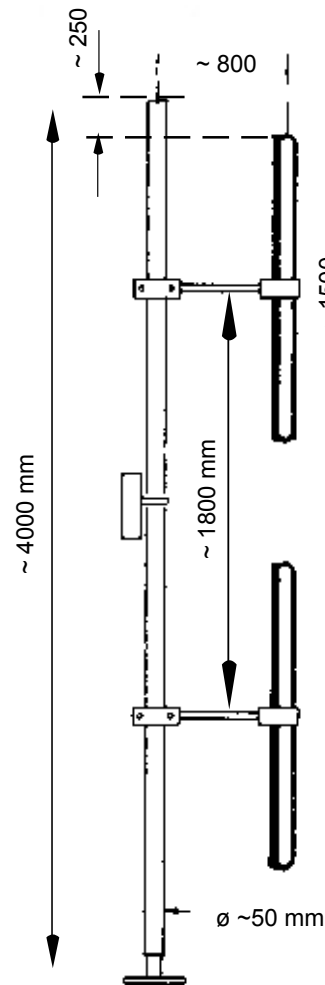


KW 1-08

WIPIC reserves the right to amend specifications in the light of continuing development.

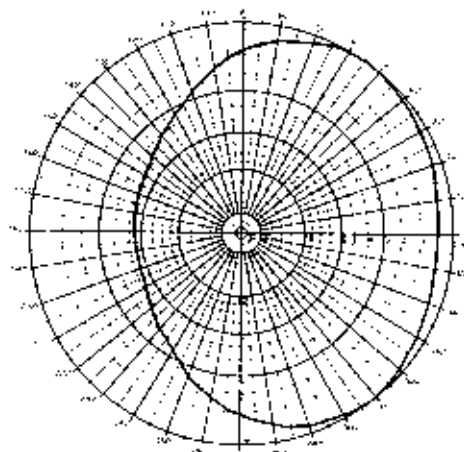
wipic

**6 dB OMNIDIRECTIONAL OFFSET-PATTERN ANTENNA
WS U01 12 11 8
87.5 - 108 MHz**



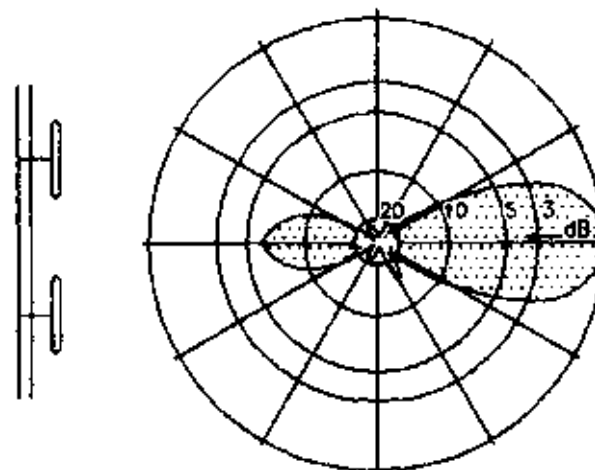
TYPE NO.	WS U01 12 11 8 : 87.5 - 108 MHz (downtilt on request) light execution without radome
POLARIZATION	vertical
IMPEDANCE	50 Ω
GAIN	ref. λ/2 dipole 5 dB in forward direction 1 dB in reverse direction
VSWR	< 1.3, at the limits of the band <1.5
POWER	max. 600 watts, higher power on request
3 dB BEAMWIDTH	horizontal, H plane: 180° vertical, E plane: 40°
TERMINATION	in then junction box WAK 1 ending with N male other termination on request
GROUNDING	all metal parts are DC grounded
DELIVERY	2 dipoles with junction and box WAK 1
MOUNTING	<i>mast-ø</i> <i>clamps</i> 30 - 80 mm WG 11 (standard) 50 - 104 mm WG 12 (option) clamp for other mast-ø on request
MATERIAL	aluminium, bolts of stainless steel, weather-resistant plastics
WEIGHT	5 kg
WIND AREA	0.22 m ²
WIND LOAD	280 N (150 km/h) 211 N (130 km/h)

Horizontal
Radiation
Pattern
H F'



KW 1-08

Vertical
Radiation
Pattern
E Plane

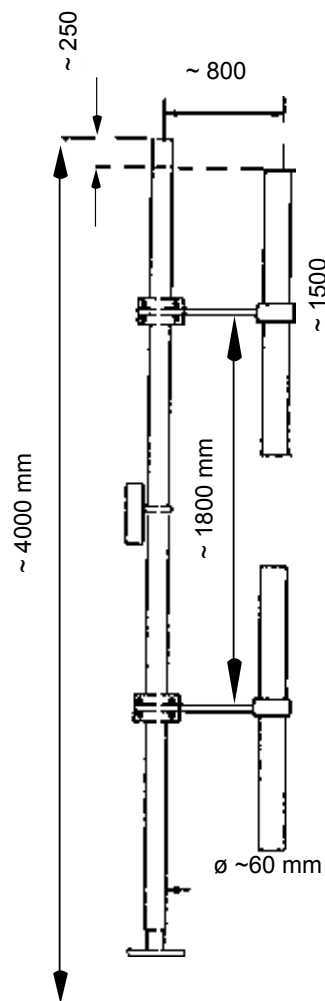


WIPIC reserves the right to amend specifications in the light of continuing development.

wipic

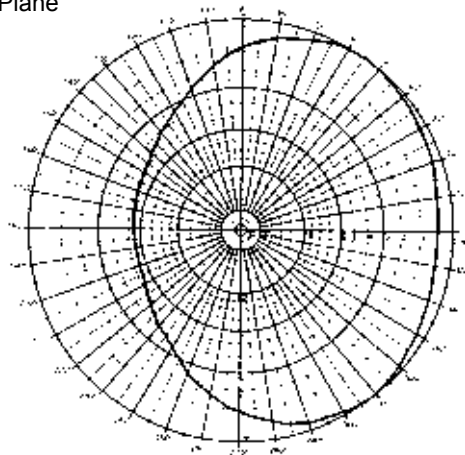
OMNIDIRECTIONAL OFFSET-PATTERN GAIN ANTENNA

**WS U01 13 11 8
87.5 ... 108 MHz**



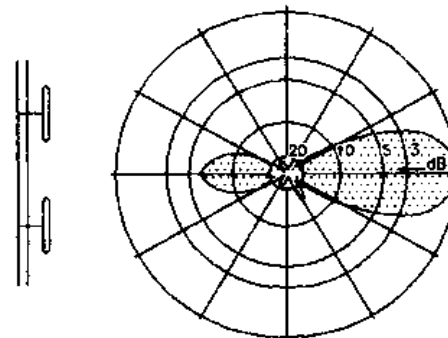
TYPE NO.	WS U01 13 11 8 :87.5 -108 MHz (downtilt on request)	
DESCRIPTION	heavy duty with radome The radome protects the antenna against environmental influences, icing, and increases the lightning protection.	
POLARIZATION	vertical	
IMPEDANCE	50 Ω	
GAIN	5 dB (ref. to λ/2 dipole) 1 dB in reverse direction	
VSWR	< 1.5	
POWER	600 watts higher ratings on request	
3 dB BEAMWIDTH	horizontal (H-plane):	220°
	vertical (E-plane):	40°
TERMINATION	in the junction box WAK 1 ending with N male	
GROUNDING	all metal parts are DC grounded	
DELIVERY	2 dipoles with junction and box WAK 1	
MOUNTING	<i>mast ø</i>	<i>clamp (see chapt. 10)</i>
	30 - 80 mm	WG 17 (standard)
	50 - 104 mm	WG 18 (option)
MATERIAL	aluminium, bolts of stainless steel, radome of UV-stabilized polyethylene	
WEIGHT	11 kg 0.29 m ²	
WIND AREA	370 N (150 km/h)	
WIND LOAD	280 N	

Horizontal Radiation Pattern H Plane



KW 1-08

Vertical Radiation Pattern E Plane

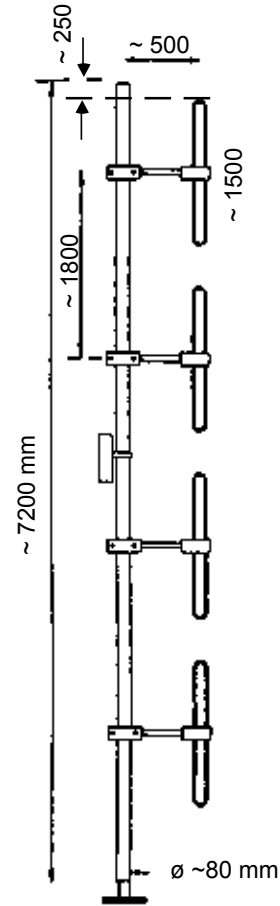


WIPIC reserves the right to amend specifications in the light of continuing development.



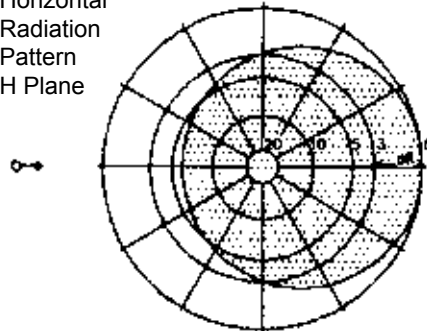
8 dB OMNIDIRECTIONAL OFFSET-PATTERN ANTENNA

WS U01 02 12 8
87.5 ... 108 MHz

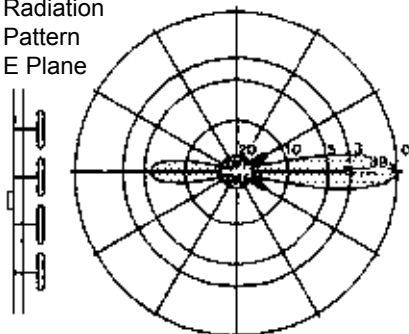


TYPE NO.	WS U01 02 12 8 : frequency (downtilt on request) the antenna will be tuned on the requested frequency in the FM band, light execution without radome
POLARIZATION	vertical
IMPEDANCE	50 Ω
GAIN	8 dB (ref. to λ/2 dipole) 2 dB in reverse direction
VSWR	< 1.3, at the limits of the band < 1.5
POWER	max. 600 watts, higher ratings on request
3 dB BEAMWIDTH	horizontal (H-plane) 180° vertical (E-plane) 20°
TERMINATION	in the junction box WAK 1 ending with N male other termination on request
GROUNDING	all metal parts are DC grounded
DELIVERY	4 dipoles with junction and box WAK 1
MOUNTING	<i>mast</i> ∅ <i>clamp (see chapt. 10)</i> 30 - 80 mm WG 11 (standard) 50 - 104 mm WG 12 (option) other mast-∅ on request
MATERIAL	aluminium, bolts of stainless steel, weather-resistant plastic

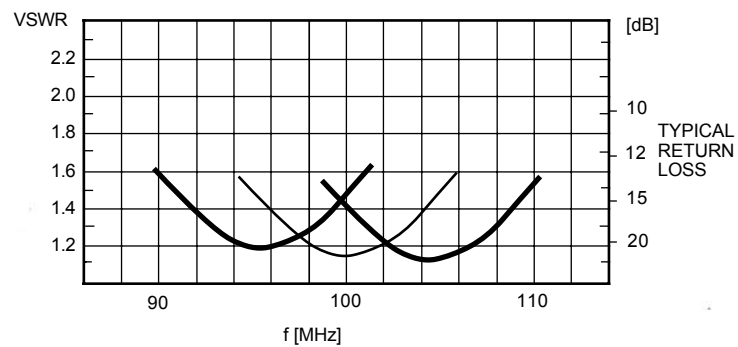
Horizontal Radiation Pattern H Plane



Vertical Radiation Pattern E Plane



WEIGHT	10 kg
WIND AREA	0.31 m ²
WIND LOAD	400 N (150 km/h) 300 N (130 km/h)

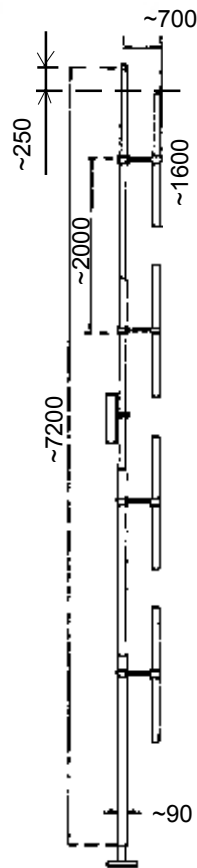


KW 1-08

WIPIC reserves the right to amend specifications in the light of continuing development.



8 dB OMNIDIRECTIONAL OFFSET-PATTERN ANTENNA
WS U01 03 12 8
87.5 ... 108 MHz



TYPE NO. WS U01 03 12 8 : frequency
 (downtilt on request)
 the antenna will be tuned on the requested frequency
 in the FM band

DESCRIPTION heavy duty, with radome
 The radome protects the antenna dipole against
 environmental influences, icing, and increases
 the lightning protection

POLARIZATION vertical

IMPEDANCE 50 Ω

GAIN 8 dB (ref. to λ/2 dipole)
 2 dB in reverse direction

VSWR < 1.3, at the limits of the band < 1.5

POWER max. 600 watts, higher ratings on request

3 dB BEAMWIDTH horizontal (H-plane) 180°
 vertical (E-plane) 20°

TERMINATION in the junction box WAK 1 ending with N male
 other terminations on request

GROUNDING all metal parts are DC grounded

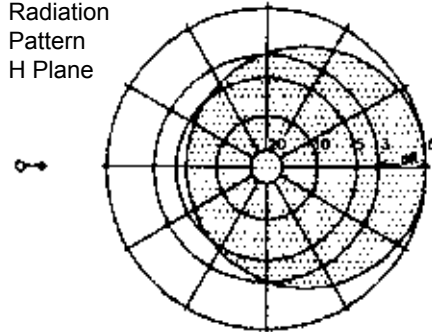
DELIVERY dipoles with junction and box WAK 1

MOUNTING mast ø clamp (see chapt. 10)
 30 - 80 mm WG 17 (standard)
 50 - 104 mm WG 18 (option)
 other mast-ø on request

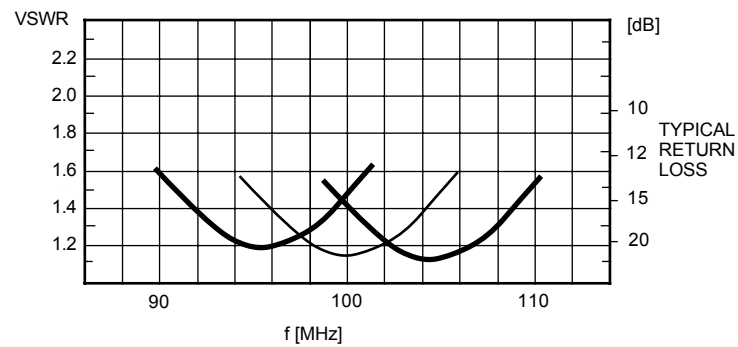
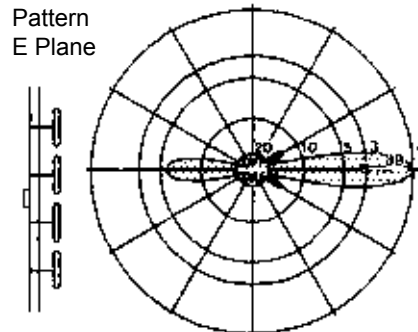
MATERIAL aluminium, bolts of stainless steel,
 radome of UV-stabilized polyethylene

WEIGHT 24 kg
WIND AREA 0.63 m²
WIND LOAD 804 N (150 km/h)
 604 N (130 km/h)

Horizontal
 Radiation
 Pattern
 H Plane



Vertical
 Radiation
 Pattern
 E Plane



KW 1-08

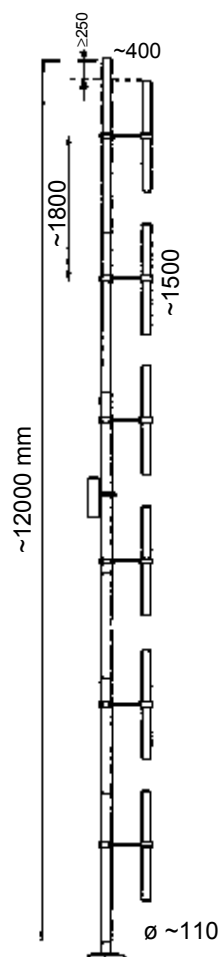
WIPIC reserves the right to amend specifications in the light of continuing development.



10 dB OMNIDIRECTIONAL OFFSET PATTERN ANTENNA

WS U01 03 13 8

87.5 ... 108 MHz



TYPE NO. WS U01 03 13 8 : frequency
(downtilt on request)
the antenna is tuned to the requested frequency in the FM band, bandwidth ± 3 MHz

DESCRIPTION heavy duty, with radoms
The radoms protects the antenna dipoles against environmental influences, icing, and increases the lightning protection.

POLARIZATION vertical

IMPEDANCE 50 Ω

GAIN 10 dB (ref. to $\lambda/2$ dipole)
4 dB in reverse direction

VSWR < 1.3, at the limits of the band < 1.5

POWER 600 watts, higher ratings on request

3 dB BEAMWIDTH horizontal (H-plane) 180°
vertical (E-plane) 12°

TERMINATION in the junction box WAK 1 with N male
other termination on request

GROUNDING all metal parts are DC grounded

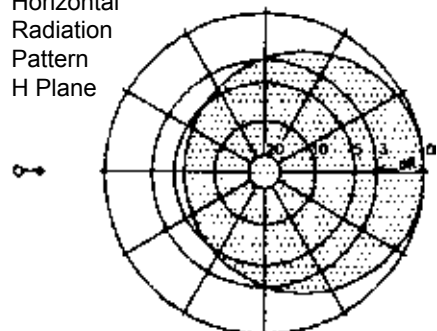
DELIVERY 6 dipoles with junction and box WAK 1

MOUNTING mast \varnothing clamp (see chapt. 10)
30 - 80 mm WG 17 (standard)
50 - 104 mm WG 18 (option)

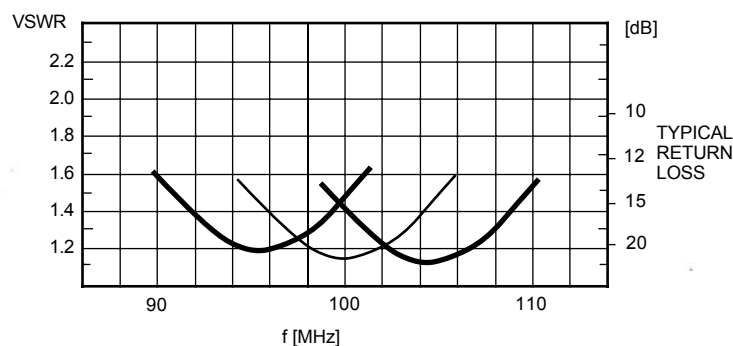
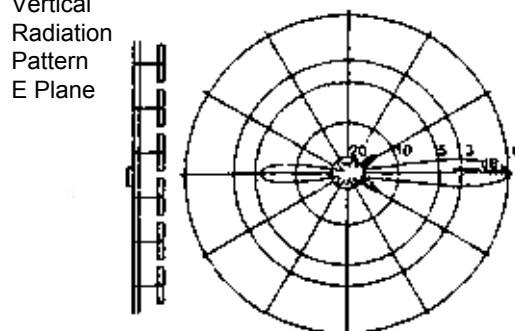
MATERIAL aluminium, bolts of stainless steel,
radom of UV-stabilized polyethylene

WEIGHT 22 kg
WIND AREA 0.72 m²
WIND LOAD 920 N
690 N

Horizontal Radiation Pattern H Plane



Vertical Radiation Pattern E Plane

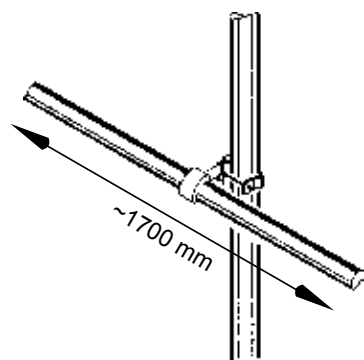


KW 1-08

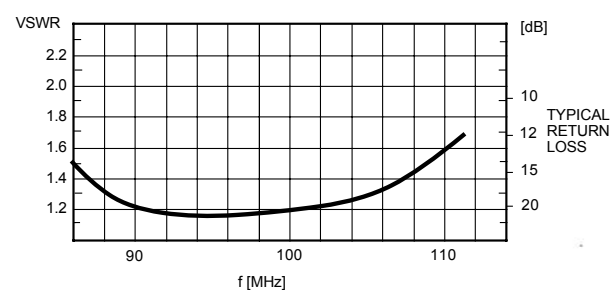
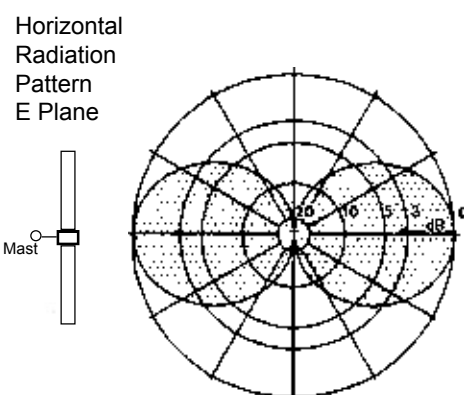
WIPIC reserves the right to amend specifications in the light of continuing development.



FM DIPOLE WITH HORIZONTAL POLARIZATION
WS U01 13 20 8
87.5 - 108 MHz



TYPE NO.	WS U01 13 20 8: 87.5 - 108 MHz , with radome further frequencies on request
DESCRIPTION	The radome protects the antenna dipole from environmental influences, icing, and increases the lightning protection.
POLARIZATION	horizontal
IMPEDANCE	50 Ω
GAIN	0 dB (ref. $\lambda/2$ dipole)
VSWR	≤ 1.3 , at the limits of the band <1.7
POWER	max. 600 watts
3 dB BEAMWIDTH	horizontal, H plane: 2x 78° vertical, E plane: 360°
TERMINATION	2 m cable RG 213/U ending with N male other termination on request
GROUNDING	all metal parts are DC grounded
MOUNTING	<i>mast-\emptyset</i> <i>clamp</i> 30 - 80 mm WG 13 (standard) 80 - 104 mm WG 14 (option) clamp for other mast- \emptyset on request
MATERIAL	aluminium, bolts of stainless steel, weather-resistant plastics, radome of UV-stabilized polyethylene
WEIGHT	3 kg
WIND AREA	0.11 m ²
WIND LOAD	140 N (150 km/h) 105 N (130 km/h)



KW 1-08

WIPIC reserves the right to amend specifications in the light of continuing development.



HORIZONTAL OMNIDIRECTIONAL ANTENNA
WS U01 13 21 .
87.5 ... 108 MHz

TYPE NO. WS U01 13 21 7 : 87.5 - 100 MHz
 WS U01 13 21 8 : 95 - 108 MHz
 further frequencies on request

DESCRIPTION heavy duty with radome
 The radome protects the antenna dipoles from environmental influences, icing, and increases the lightning protection.

POLARIZATION horizontal

IMPEDANCE 50 Ω

GAIN -2 dBd (ref. λ/2 dipole)

VSWR ≤ 1.3, at the limits of the band <1.5

POWER max. 600 watts, higher ratings on request

3 dB BEAMWIDTH horizontal, H plane: 360°
 deviation from circularity ± 2 dB

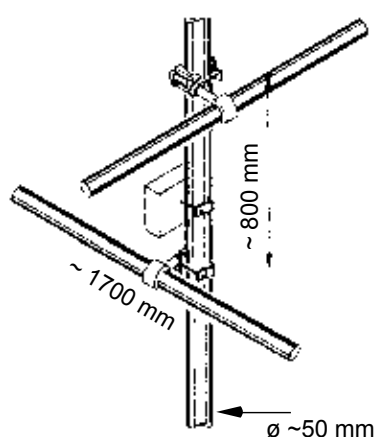
TERMINATION in the junction box WAK 1 ending with N male
 other termination on request

GROUNDING all metal parts are DC grounded

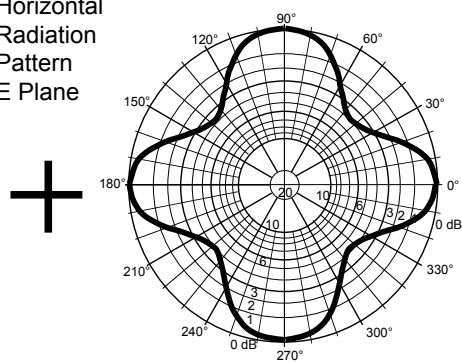
DELIVERY 2 dipoles with junction and box WAK 1

MOUNTING mast-ø clamp
 30 - 80 mm WG 13 (standard)
 80 - 104 mm WG 14 (option)
 clamp for other mast-ø on request

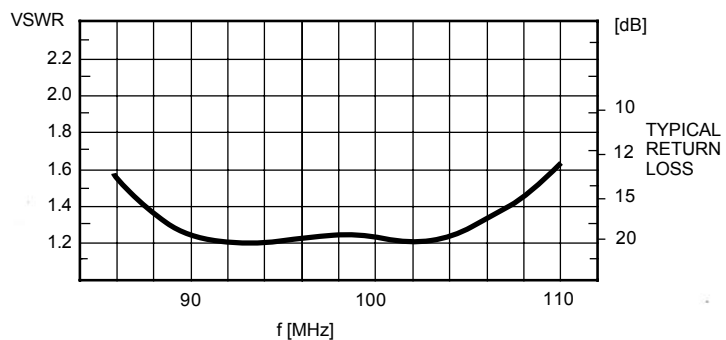
MATERIAL aluminium, bolts of stainless steel, weather-resistant
 plastics, radome of UV-stabilized polyethylene



Horizontal
 Radiation
 Pattern
 E Plane



WEIGHT 12 kg
WIND AREA 0.57 m²
WIND LOAD 728 N (150 km/h)
 546 N (130 km/h)

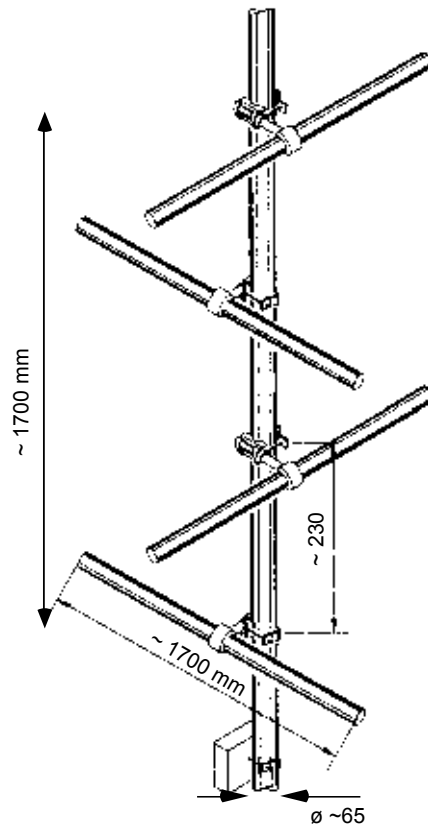


KW 1-08

WIPIIC reserves the right to amend specifications in the light of continuing development.

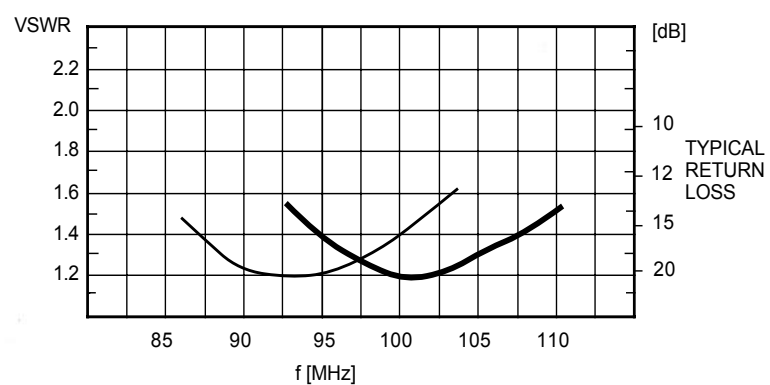
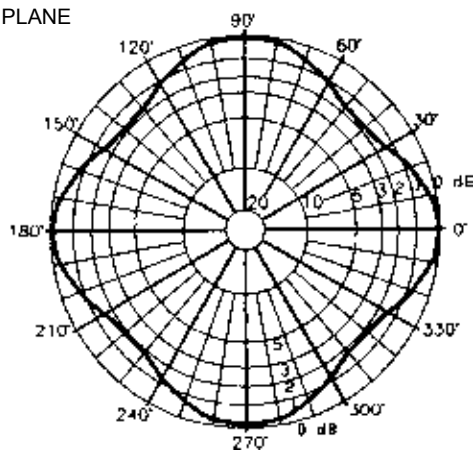
wipic

**1 dB OMNIDIRECTIONAL ANTENNA
WS U01 13 22 8
87.5 - 108 MHz**



TYPE NO.	WS U01 13 22 8 : 87.5 - 108 MHz downtilt on request
DESCRIPTION	heavy duty, with radomes The radomes protects the antenna dipoles against environmental influences, icing, and increases the lightning protection.
POLARIZATION	horizontal
IMPEDANCE	50 Ω
GAIN	1 dBd (ref. to λ/2 dipole)
VSWR	< 1.3, at the limits of the band < 1.5
POWER	600 watts
3 dB BEAMWIDTH	horizontal: deviation from circularity 2 - 3 dB vertical: (E-plane) 62°
TERMINATION	in the junction box WAK 1 with N male all metal parts are DC grounded
GROUNDING	all metal parts are DC grounded
MOUNTING	<i>mast</i> ∅ <i>clamp</i> (see <i>chapt. 10</i>) 30 - 80 mm WG 17 (standard) 50 - 104 mm WG 18 (option)
MATERIAL	aluminium, bolts of stainless steel, radome of UV-stabilized polyethylene
WEIGHT	24 kg
WIND AREA	0.75 m ²
WIND LOAD	960 N 720 N

HORIZONTAL
RADIATION
PATTERN
E PLANE

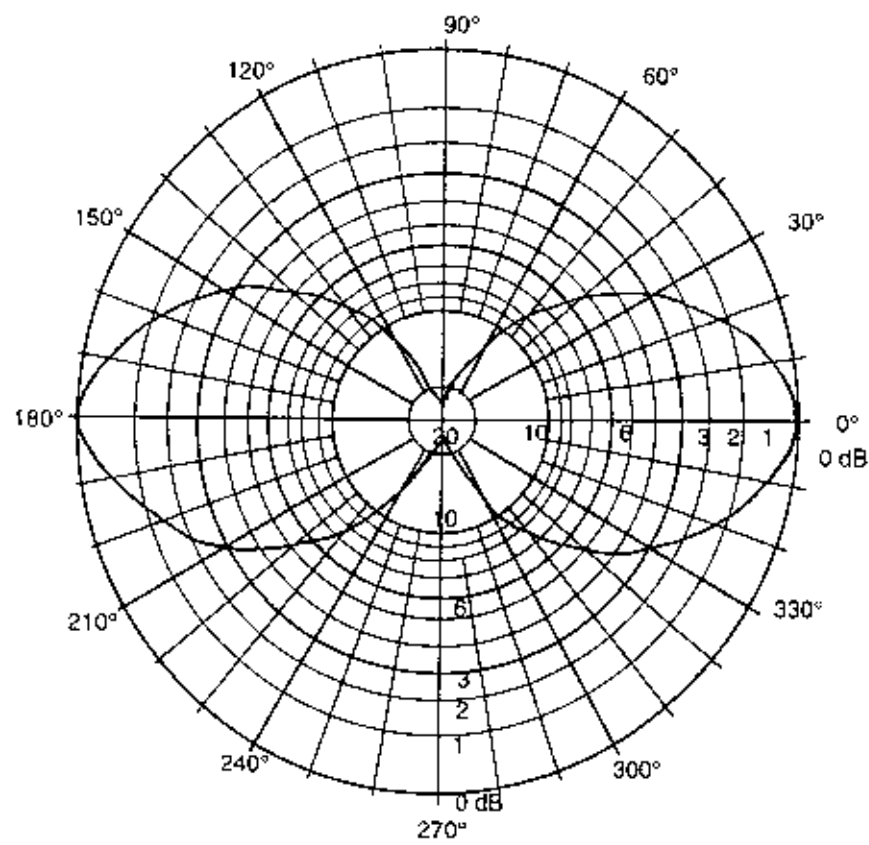
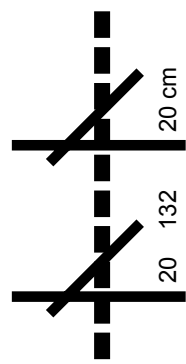


KW 1-08

WIPIC reserves the right to amend specifications in the light of continuing development.

wipic

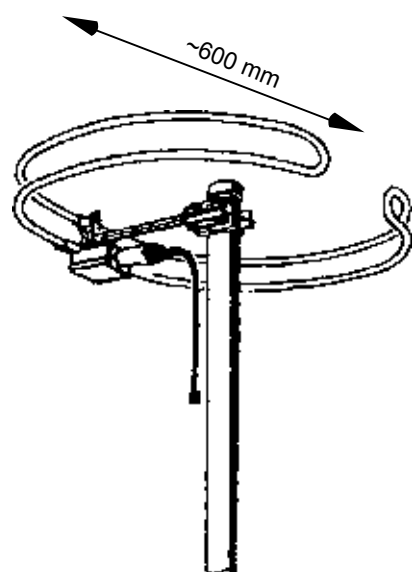
WS U01 13 22
vertical radiation pattern 98 MHz
H plane
3 dB beamwidth 60°



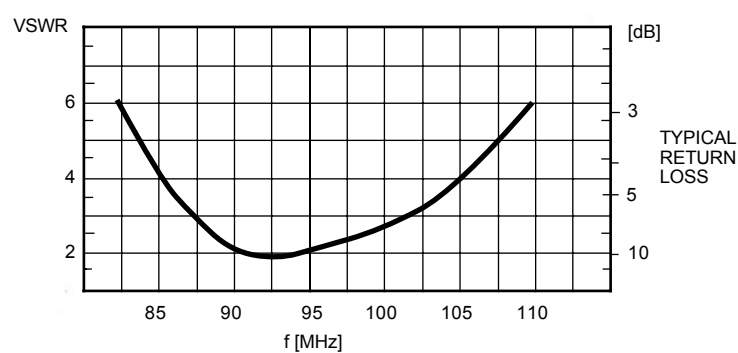
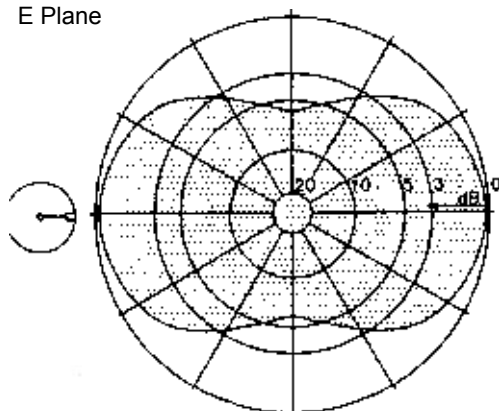
KW 1-08

WIPIC reserves the right to amend specifications in the light of continuing development.

Section 8.1. 18/19

wipic
**HALO ANTENNA
WS U01 52 20 8
87.5 - 108 MHz**


TYPE NO.	WS U01 52 20 8: 87.5 - 108 MHz light execution without radome	
POLARIZATION	horizontal	
IMPEDANCE	50 Ω	
GAIN	-2 dB (ref. λ/2 dipole)	
VSWR	< 2 at 97 - 100 MHz, at the limits of the bands < 7	
POWER	max. 150 watts	
3 dB BEAMWIDTH	horizontal, H plane: 360° (deviation from circularity ± 3 dB)	
TERMINATION	2 m cable RG 213/U ending with N male other termination on request	
GROUNDING	all metal parts are DC grounded	
MOUNTING	mast-∅	clamp
	30 - 80 mm	WG 8 (standart)
	50 - 104 mm	WG 9 (option)
MATERIAL	aluminium, bolts of stainless steel, weather-resistant plastics	
WEIGHT	1.1 kg	
WIND AREA	0.04 m ²	
WIND LOAD	50 N (150 km/h) 40 N (130 km/h)	

 Horizontal
Radiation
Pattern
E Plane


KW 1-08

WIPIC reserves the right to amend specifications in the light of continuing development.